



Working Together for
a Greener Society

Future of Power Electronics and the Earth



Selection Guide for xEV

- ICs (For Power Supply, Motor Drive, Linear Solenoid Drive)
- Discrete Devices (Diodes, Power MOSFETs)

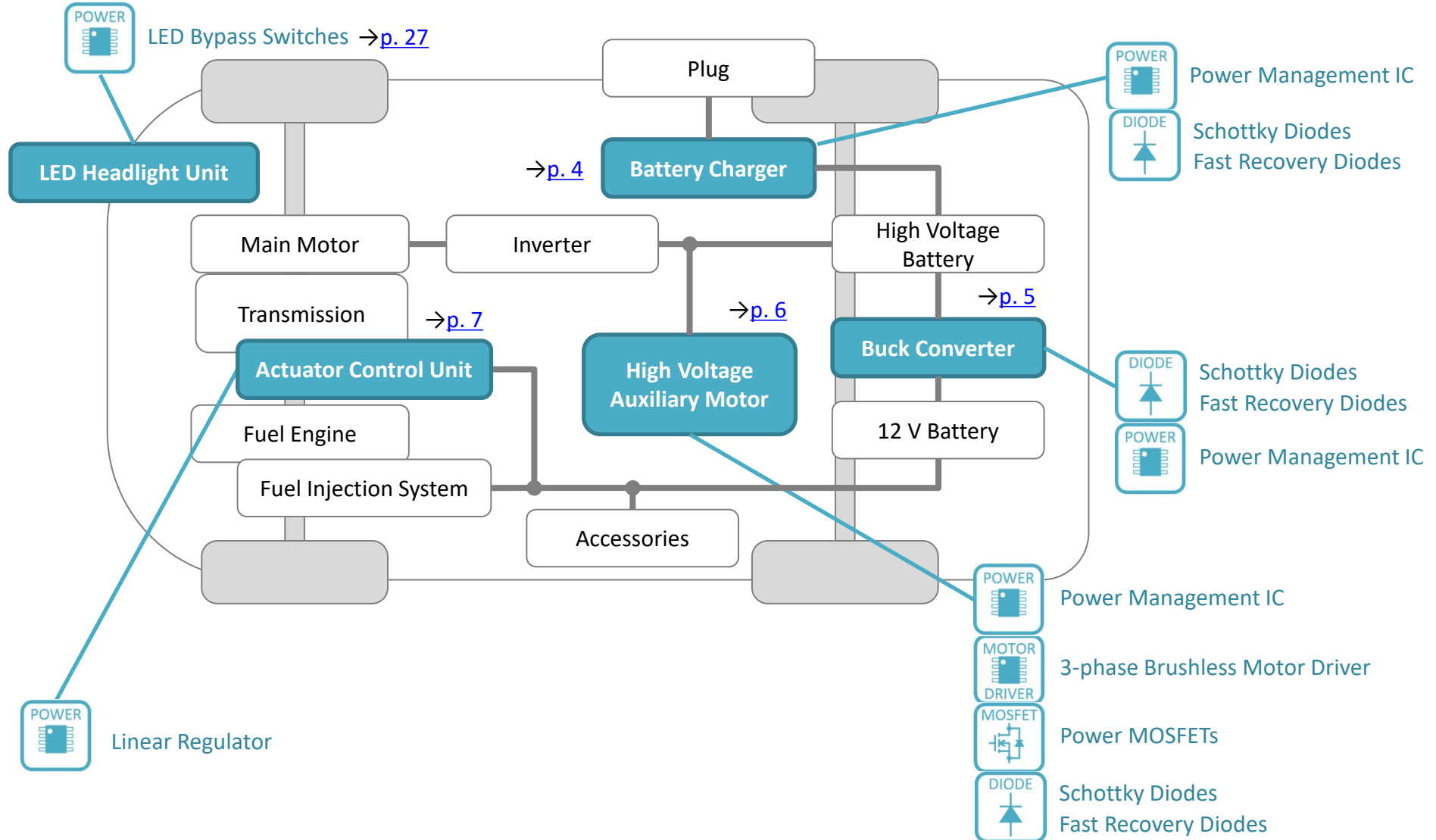
All information in this guide is as of the date of publication. Please make sure that you are using the latest version of the guide.
If you need more product information, please refer to our data sheets.

<https://www.sanken-ele.co.jp/en>

Contents

■ xEV System	3
• Battery Charger System	4
• Buck Converter Circuit	5
• High Voltage Auxiliary Motor	6
• Actuator Control Unit (ACU)	7
■ Motor Drivers (35 V to 650 V)	8
■ Power Management ICs	13
■ Diodes	15
• TVS Diodes	16
• Schottky Diodes	17
• Fast Recovery Diodes	18
■ Power MOSFETs	19
• N-channel Power MOSFETs	20
■ Other Devices	21
• LED Headlight Driver (SPF5047)	22
■ Important Notes	23

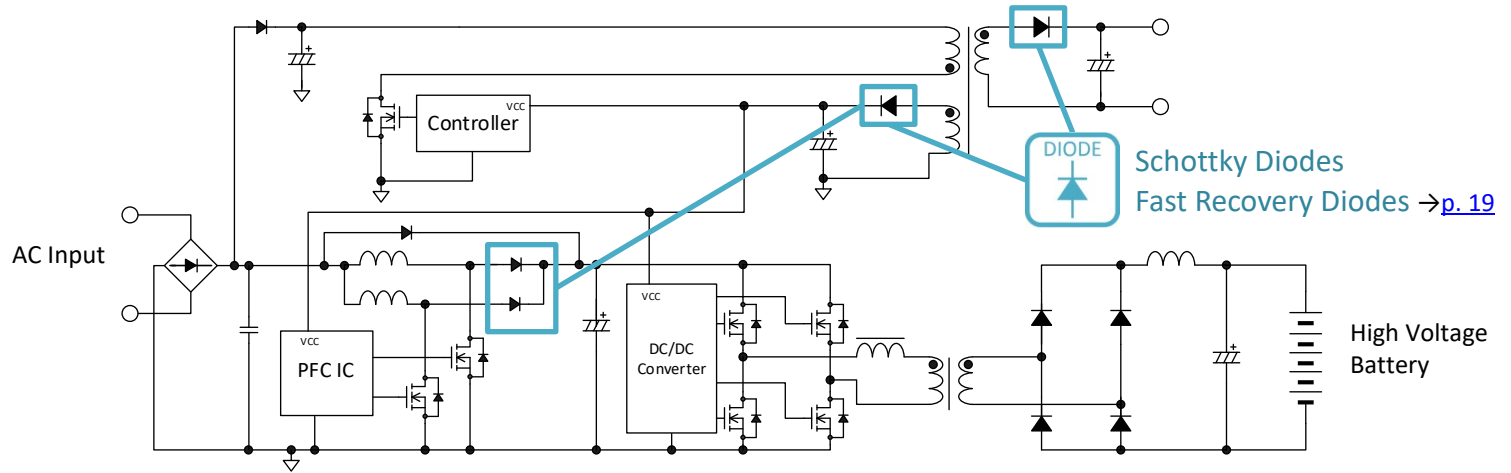
SanKen provides various devices for xEV system that have a high voltage battery.



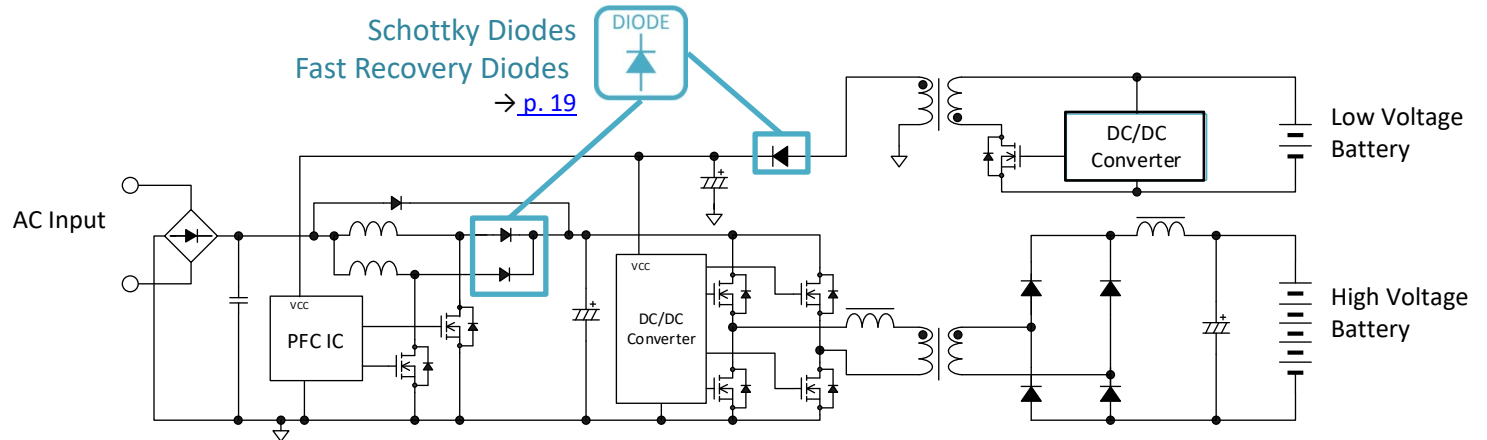
xEV System: Battery Charger System

For the battery charging circuit from a power plug, SanKen provides devices such as auxiliary power supply ICs and rectification diodes.

Auxiliary Power Supply Using AC Input

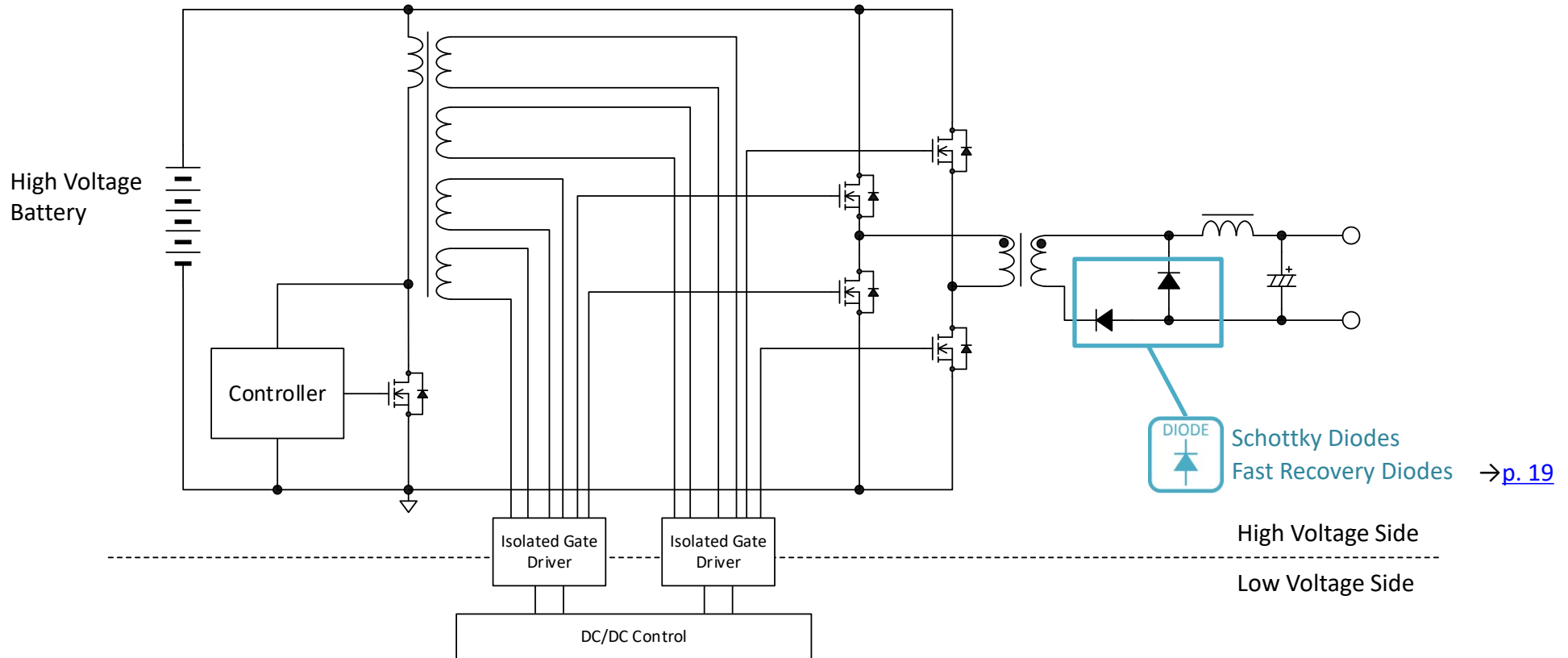


Auxiliary Power Supply Using Battery



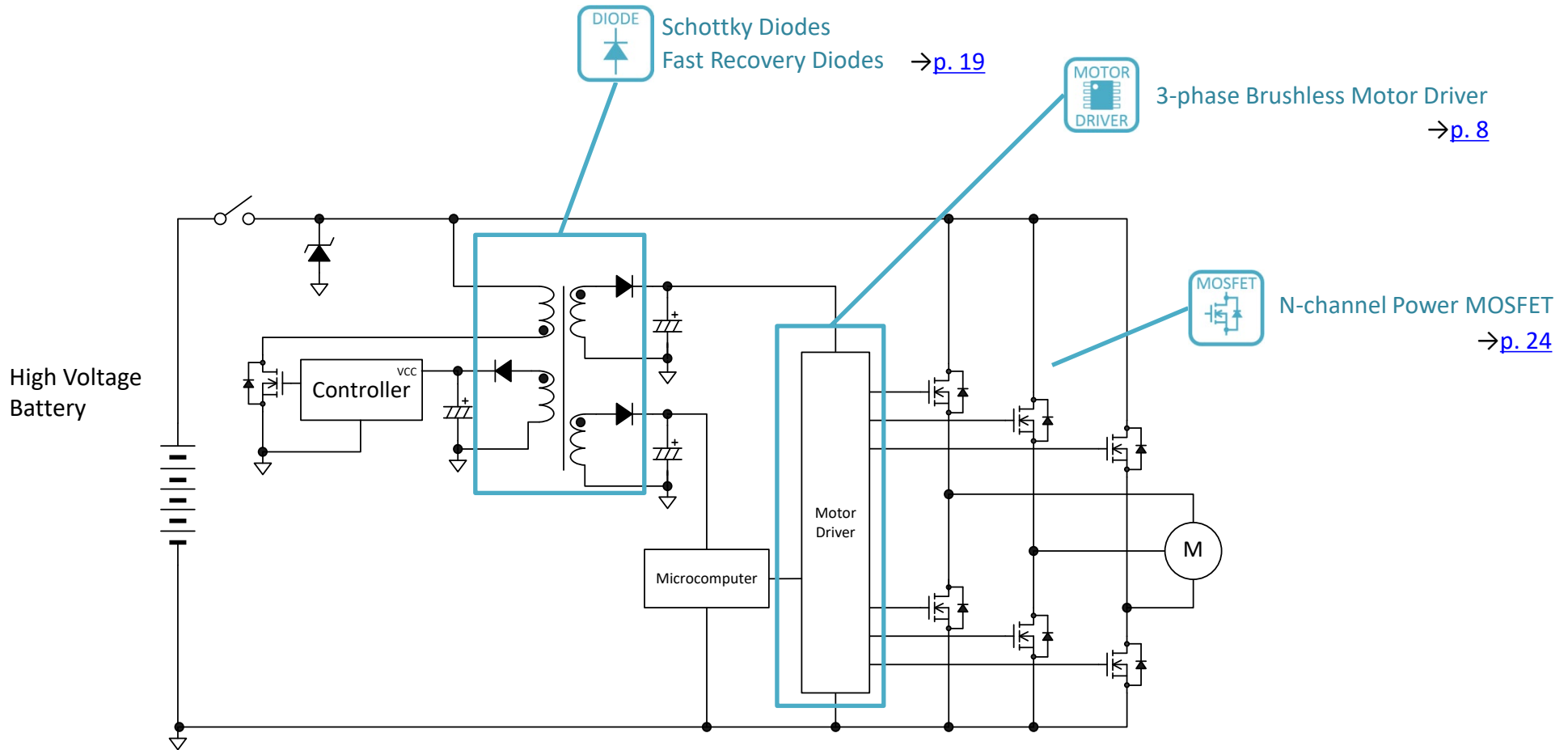
xEV System: Buck Converter Circuit

For the buck converter circuit from a high voltage battery, SanKen provides devices such as power management ICs and rectification diodes.



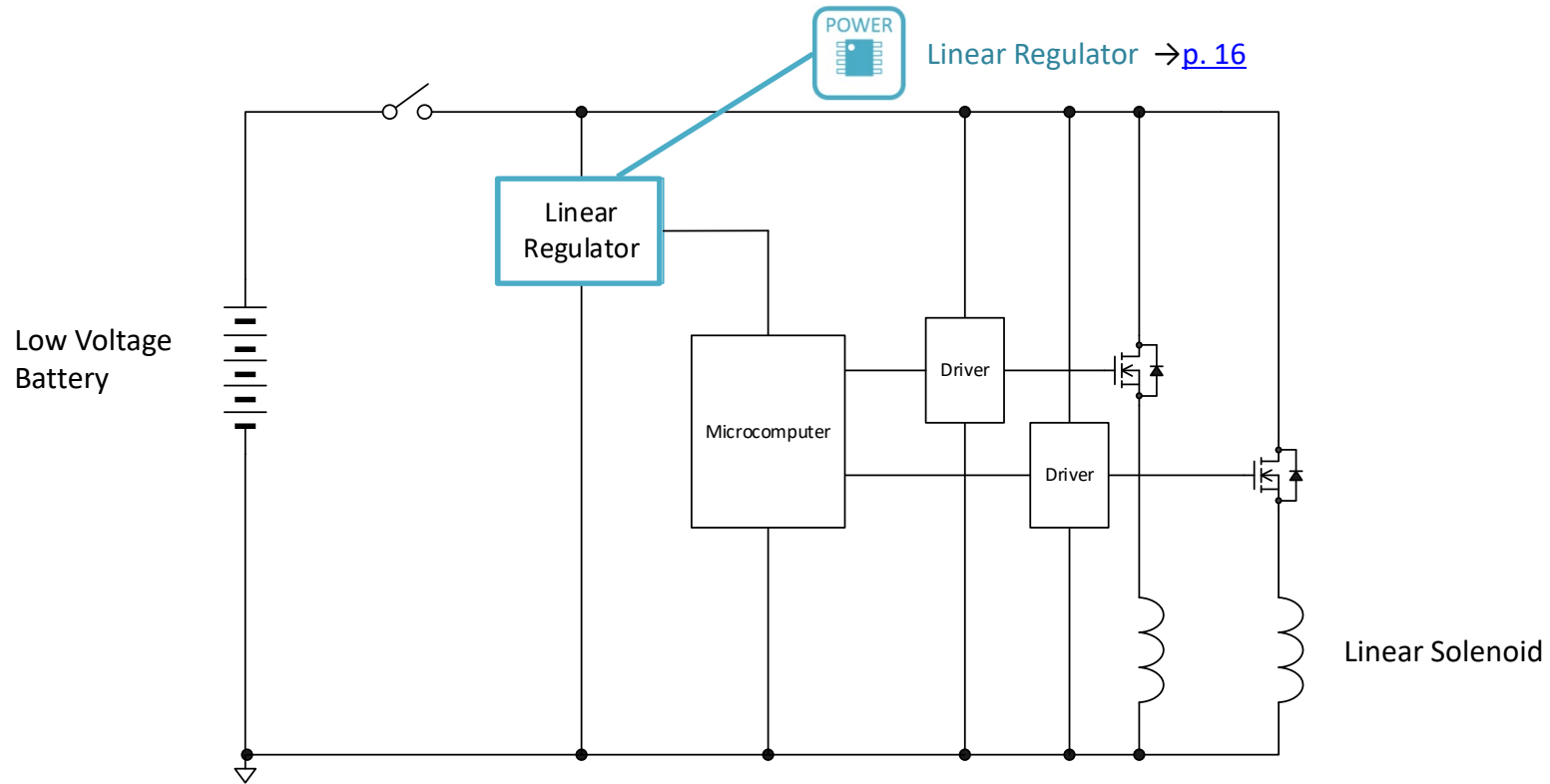
xEV System: High Voltage Auxiliary Motor

For the high voltage auxiliary motor circuit, SanKen provides devices such as power management ICs, motor drive ICs, and discrete devices.



xEV System: Actuator Control Unit (ACU)

For the Actuator Control Unit (ACU) of a linear solenoid valve in the transmission, SanKen provides linear regulators.



Motor Drivers (35 V to 650 V)

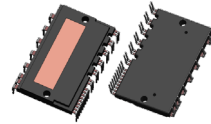
SanKen's motor drivers for automotive applications are AEC-Q100 qualified high-quality ICs. SanKen provides the optimal ICs according to the application and system of the DC motors.

3-phase Brushless Motor: Low Noises, Precise Temperature Sensing, All-in-one IPM with multiple components single packaged

◆ **SAM265M30AA1** [→p. 10](#)
Built-in IGBTs (650 V / 30 A)

- High Voltage Auxiliary Circuit (Compressor, etc.)

DIP30 (LF2540 / LF2541)



◆ **SAM265M50AA1** [→p. 10](#)
Built-in IGBTs (650 V / 50 A)

3-phase Brushless Motor: Low Noises, Long Life, Fast Rotation, High Efficiency

◆ **SPF6102** [→p. 11](#)
Selectable External Power MOSFET
($V_{CC} = 35\text{ V}$)

For the 3-phase brushless motor drivers used in:

- Inverter
- 24 V and 450 V Battery Management System (BMS)
- Integrated Starter Generator (ISG) Hybrid System
- High Voltage Auxiliary Circuit (Compressor, etc.)

HSOP48



DC Brush Motor: Smaller Circuit Size

◆ SPF6001

Half-bridge Driver

Selectable External Power MOSFET ($V_{CC} = 35\text{ V}$)

HSOP16



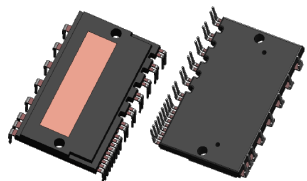
[→p. 12](#)

For the DC brush motor drivers used in:

- Radiator Pump
- Fan for Air Conditioner
- Electric Power Steering (EPS)

SAM265Mx0AA1 Series

Package



DIP30

- LF2540 (Long Lead Type)
- LF2541 (Short Lead Type)

Features

- AEC-Q100 Qualified
- Pb-free (RoHS Compliant)
- Isolation Voltage: 2500 V (for 1 min)
- Built-in Thermistor
- Built-in Bootstrap Diodes
- CMOS-compatible Input (3.3 V or 5 V)
- Fault Signal Output at Protection Activation
- Shutdown Signal Input
- Adjustable OCP Hold Time
- Protection Functions

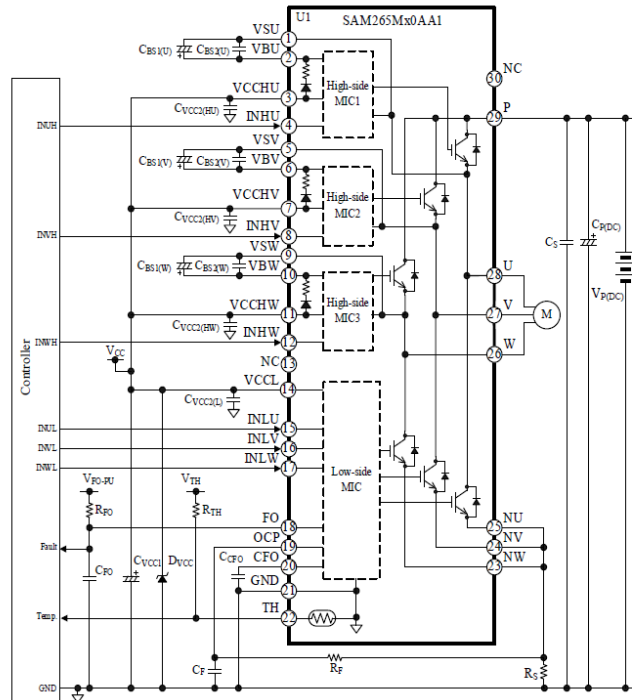
Undervoltage Lockout for Power Supply

- VBx Pin (UVLO_VBx): Auto-restart

- VCCL Pin (UVLO_VCCL): Auto-restart

Overcurrent Protection (OCP): Auto-restart

Typical Application



Selection Guide

Part Number	V_{CES}	I_C	$V_{CE(SAT)}$ (Typ.)
SAM265M30AA1	650 V	30 A	1.7 V
SAM265M50AA1	650 V	50 A	1.7 V

SPF6102

Package

HSOP48



Features

- AEC-Q100 Qualified
- Pb-free (RoHS Compliant)
- Built-in Bootstrap Diodes
- Built-in Auxiliary Power Supply (VREGx)
- Enable Function (All Phases Shutdown with EN = Logic Low)
- Fault Signal Output at Protect Circuit Activated
- Protections

Simultaneous On-state Prevention

VBB Pin Overvoltage Protection (VBB_OVP)

Overcurrent Protection (OCP)

Under Voltage Protection

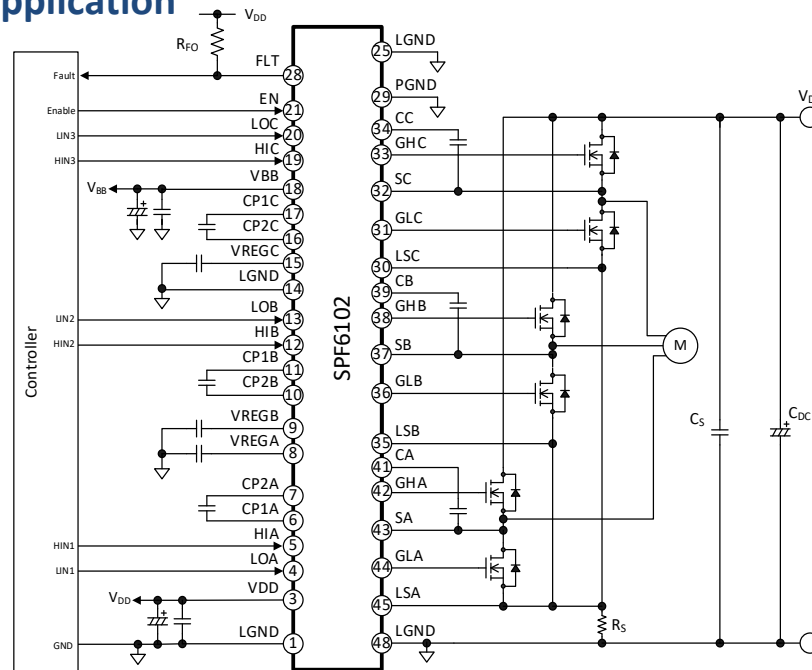
- VBB Pin (VBB_UVLO)

- VDD Pin (VDD_UVLO)

- VREGx Pin (VREGx_UVLO)

Thermal Shutdown (TSD)

Typical Application



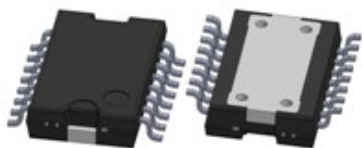
Specifications

Part Number	V_{DC}	V_{BB}	On-resistance of Internal Driver
SPF6102	150 V	35 V	Sink: 7 Ω (typ.) Source: 10 Ω (typ.)

SPF6001

Package

HSOP16



Features

- AEC-Q100 Qualified
- Pb-free (RoHS Compliant)
- Built-in Bootstrap Diodes
- Built-in Auxiliary Power Supply
- Enable Function (All Phases Shutdown with EN = Logic Low)
- Fault Signal Output at Protect Circuit Activated
- Protections

VBB Pin Overvoltage Protection (VBB_OVP)

Overcurrent Protection (OCP)

Under Voltage Protection

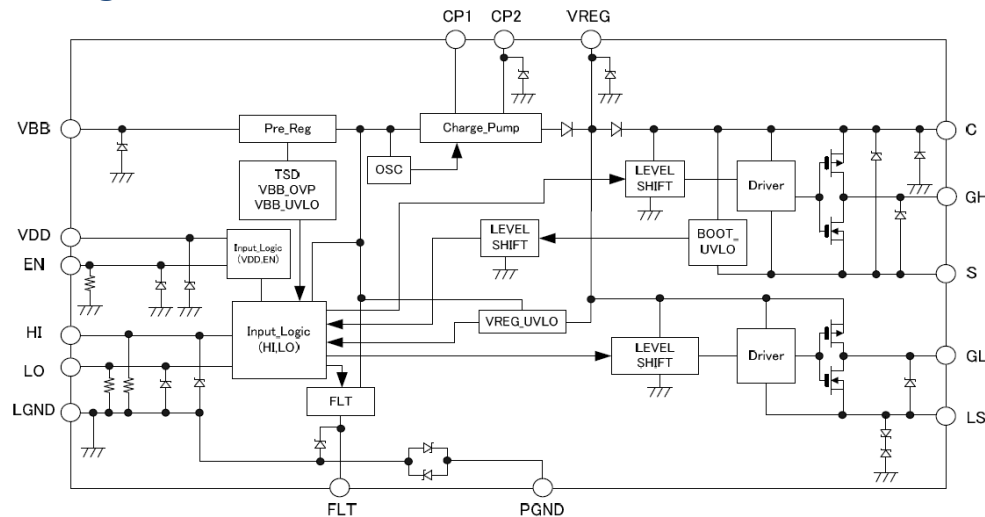
- VBB Pin (VBB_UVLO)

- VDD Pin (VDD_UVLO)

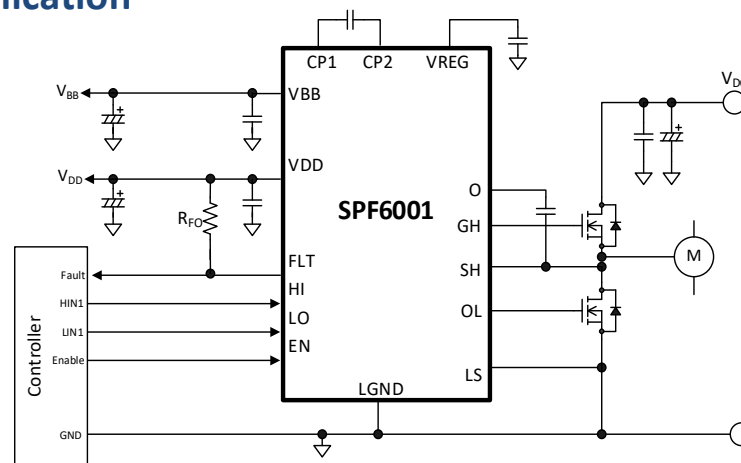
- VREGx Pin (VREGx_UVLO)

Thermal Shutdown (TSD)

Block Diagram



Typical Application



Power Management ICs

SanKen's power management ICs for automotive applications are AEC-Q100 qualified high-quality ICs. SanKen provides the optimal ICs according to the application and system of a power supply.

Two Outputs Linear Regulator

◆ SPF3000 Series

- One Input, Two Outputs Linear Regulator
- Built-in Power MOSFET

$$I_O = 0.2 \text{ A to } 0.4 \text{ A}$$

$$V_{IN} = 35 \text{ V}$$

HSOP16



[→p. 16](#)

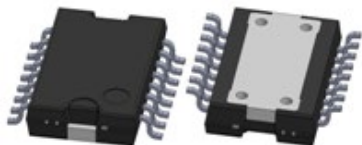
For the buck converters used in:

- Inverter
- On Board Charger (OBC)
- Battery Management System (BMS)

SPF3000 Series

Package

SOP16



Features

- One Input, Two Outputs Linear Regulator
- AEC-Q100 Qualified
- Pb-free (RoHS Compliant)
- High Accuracy Output Voltage (Output 1: $\pm 2\%$)
- Power-on Reset Function
- Built-in Watchdog Timer
- Enable Function
- Protections
Overcurrent Protection: Drooping
Thermal Shutdown (Output 1)

Selection Guide

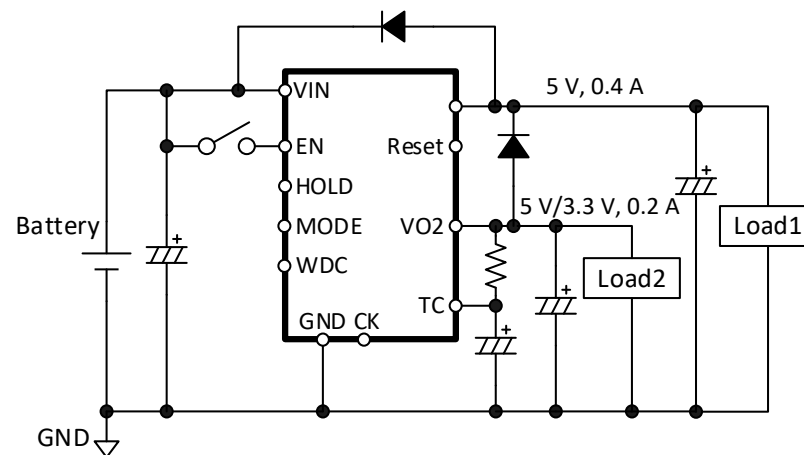
Part Number	Output 1		Output 2		V_{IN} (max.)	P_D
	I_o	V_o	I_o	V_o		
SPF3006	0.4 A	5.0 V	0.2 A	5.0 V	35 V	3 W
SPF3009	0.4 A	5.0 V	0.2 A	3.3 V		

Applications

For the buck converters used in:

- Inverter
- On Board Charger (OBC)
- Battery Management System (BMS)

Typical Application



Diodes

SanKen provides the optimal diodes according to the automotive application.

The TVS diodes have high surge capability, and protect automotive electronic units, especially from the surge generated during load dump conditions and voltage transients induced by inductive loads. These are provided in high thermal dissipation package.

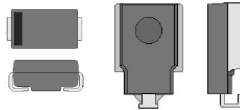
The various diodes for high speed switching such as switching power supply are provided.

Features

- AEC-Q101 Qualified
- $T_J = 175\text{ }^\circ\text{C}$ Capability Suitable for High Reliability and Automotive Requirement
- Flammability UL94V-0 (Equivalent)
- Bare Lead Frame: Pb-free (RoHS Compliant)

TVS Diodes

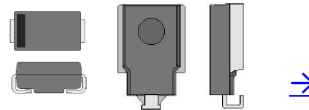
- $P_D = 1\text{ W to }6\text{ W}$
- For Circuit using 12 V or 24 V Battery
- Meets the Surge Protection Requirements in ISO7637-2



[→p. 20](#)

Schottky Diodes

- $V_{RM} = 40\text{ V to }150\text{ V}$
- $I_{F(AVG)} = 1\text{ A to }3\text{ A, and }45\text{ A to }65\text{ A}$



[→p. 21](#)

Fast Recovery Diodes

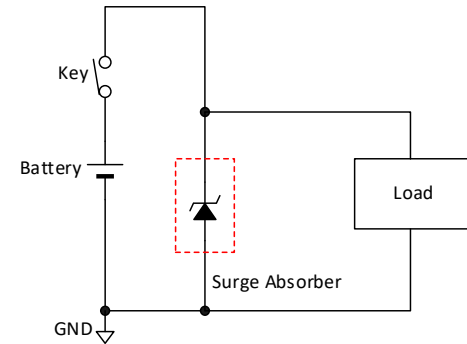
- $V_{RM} = 200\text{ V to }600\text{ V}$
- 1 A to 3 A



[→p. 22](#)

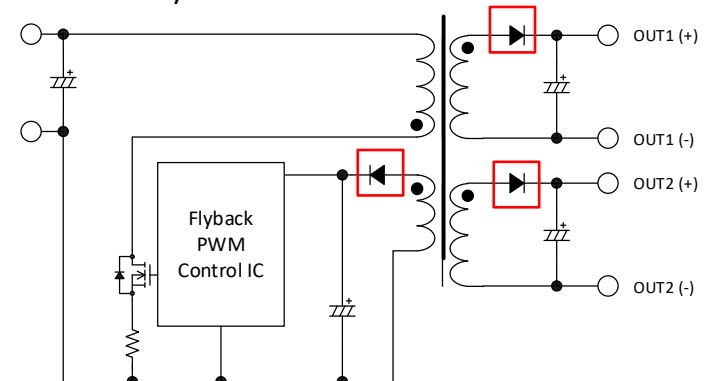
Typical Application

◆TVS Diodes



◆Schottky Diodes

◆Fast Recovery Diodes

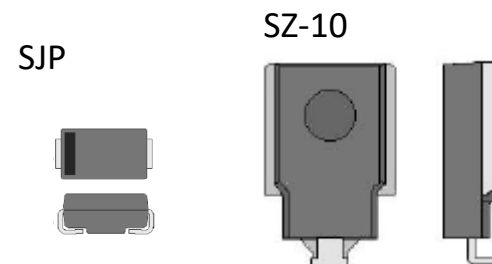


TVS Diodes

Features

- AEC-Q101 Qualified
- Meets the Surge Protection Requirements in ISO7637-2
- for High Reliability and Automotive Requirement
- SZ-10 Series: $T_j = 175\text{ }^\circ\text{C}$ Capability Suitable
- Flammability UL94V-0 (Equivalent)
- Bare Lead Frame: Pb-free (RoHS Compliant)

Packages



Selection Guide

P_D	Part Number	V_Z (min.)	V_Z (max.)	I_{RSM}	I_R	Package	ISO7637-2
1 W	SJPZ-K20	18.8 V	21.2 V	—	10 μA	SJP	Pulse 1 to 3
	SJPZ-K28	25.0 V	31.0 V	2 A	10 μA		
2 W	SJPZ-N18	16.8 V	19.1 V	—	1 μA		
	SJPZ-N27	25.1 V	28.9 V	—	1 μA		
	SJPZ-N33	31.0 V	35.0 V	—	1 μA		
5 W	SZ-10N27	24.0 V	30.0 V	70 A	10 μA		
6 W	SZ-10NN27	24.0 V	30.0 V	90 A	10 μA		
	SZ-10NN40	36.0 V	44.0 V	70 A	10 μA		

Schottky Diodes

Features

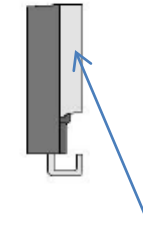
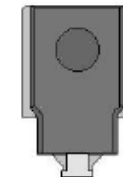
- AEC-Q101 Qualified
- Guaranteed Avalanche Energy for SZ-10EF
- Flammability UL94V-0 (Equivalent)
- Bare Lead Frame: Pb-free (RoHS Compliant)

Packages

SJP



SZ-10



Anode

Selection Guide

Package	V_{RM}	$I_{F(AVG)}$	Part Number	I_{FSM} (50 Hz Half-wave)	V_F	
					V_F (max.)	I_F Condition
SJP	40 V	1 A	SJPB-D4	30 A	0.55 V	1 A
		2 A	SJPE-H4	40 A	0.60 V	2 A
		2 A	SJPB-H4	50 A	0.55 V	2 A
		3 A	SJPB-L4	60 A	0.55 V	3 A
	60 V	1 A	SJPB-D6	20 A	0.68 V	1 A
		2 A	SJPB-H6	40 A	0.69 V	2 A
		3 A	SJPB-L6	50 A	0.70 V	3 A
	90 V	1 A	SJPB-D9	20 A	0.85 V	1 A
		2 A	SJPB-H9	40 A	0.85 V	2 A
	150 V	3 A	SJPE-L15	40 A	0.95 V	3 A
5 A		SJPE-T15	75 A	0.95 V	5 A	
SZ-10	80 V	45 A	SZ-10EF	300 A	0.82 V	45 A

Fast Recovery Diodes

Features

- AEC-Q101 Qualified
- Flammability UL94V-0 (Equivalent)
- Bare Lead Frame: Pb-free (RoHS Compliant)

Package

SJP



Selection Guide

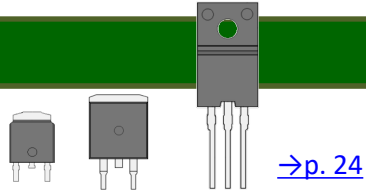
V_{RM}	$I_{F(AVG)}$	Part Number	I_{FSM} (50 Hz Half-wave)	V_F		t_{rr} $I_F : I_R = 1 : 1$
				V_F (max.)	I_F Condition	
200 V	1.0 A	SJPL-D2	25 A	0.98 V	1.0 A	50 ns
	1.5 A	SJPX-F2	30 A	0.98 V	1.5 A	30 ns
	2.0 A	SJPL-H2	25 A	0.98 V	2.0 A	50 ns
	3.0 A	SJPL-L2	60 A	0.98 V	3.0 A	50 ns
300 V	2.0 A	SJPX-H3	20 A	1.3 V	2.0 A	30 ns
400 V	1.5 A	SJPL-F4	25 A	1.3 V	1.5 A	50 ns
	3.0 A	SJPL-L4	30 A	1.3 V	3.0 A	50 ns
500 V	1.0 A	SJPD-D5	20 A	1.4 V	1.0 A	40 ns
	3.0 A	SJPD-L5	50 A	1.4 V	3.0 A	50 ns
600 V	2.0 A	SJPL-H6	30 A	1.5 V	2.0 A	50 ns
	2.0 A	SJPX-H6	20 A	1.5 V	2.0 A	30 ns

Power MOSFETs

Sanken provides various power MOSFETs according to the automotive application. The high-quality power MOSFETs have low on-resistance, and are optimal for the automotive applications including inverters and switch.

N-channel Power MOSFETs

- $V_{DSS} = 40\text{ V to }300\text{ V}$
- $I_D = \pm 20\text{ A to } \pm 100\text{ A}$

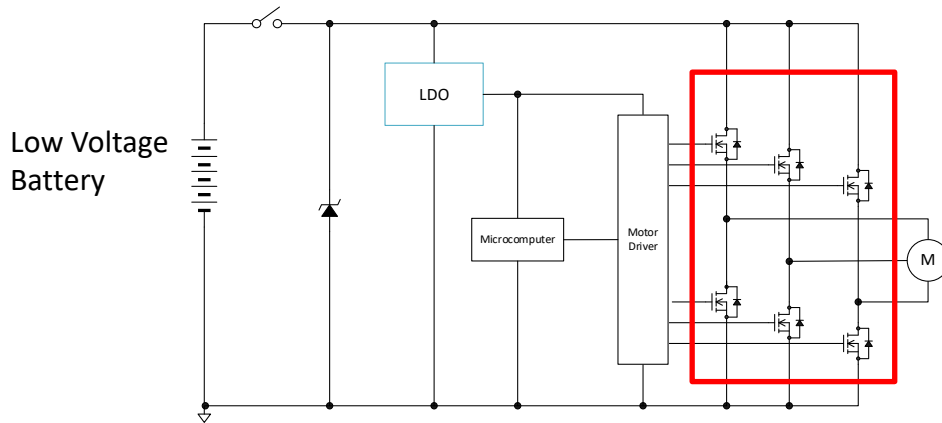


Features

- AEC-Q101 Qualified
- Bare Lead Frame: Pb-free (RoHS Compliant)
- Guaranteed Avalanche Energy

Applications

- Motor Drive
- Injection Switch
- Power Management Circuit



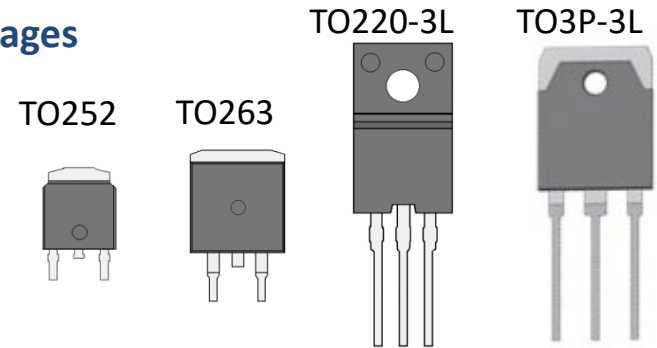
$V_{DSS} = 40 \text{ V to } 300 \text{ V}$, $I_D = \pm 20 \text{ A to } \pm 100 \text{ A}$

N-channel Power MOSFETs

Features

- $V_{DSS} = 40 \text{ V to } 300 \text{ V}$
- Low On-resistance
- AEC-Q101 Qualified
- Bare Lead Frame: Pb-free (RoHS Compliant)
- Guaranteed Avalanche Energy

Packages



Selection Guide

V_{DSS}	I_D	Part Number	Package	P_D	V_{GSS}	V_{TH} (max.)	C_{iss}		C_{rss}	$R_{DS(ON)}$ (max.)
							$V_{DS} = 10 \text{ V}, V_{GS} = 0 \text{ V}$			
40 V	$\pm 70 \text{ A}$	2SK3801	TO3P-3L	100 W	$\pm 20 \text{ V}$	4.0 V	5100 pF	860 pF	6 m Ω	
		FLD470	TO220F-3L	35 W						
60 V	$\pm 70 \text{ A}$	2SK3711	TO3P-3L	130 W	$\pm 20 \text{ V}$	4.0 V	8000 pF	1000 pF	6 m Ω	
	$\pm 100 \text{ A}$	2SK4161D	TO3P-3L	132 W	$\pm 20 \text{ V}$	4.0 V	10000 pF	1000 pF	4.8 m Ω	
100 V	$\pm 20 \text{ A}$	DKG1020	TO252	40 W	$\pm 20 \text{ V}$	2.5 V	2200 pF	110 pF	52 m Ω	
300 V	$\pm 15 \text{ A}$	SUK3015	TO263	89 W	$\pm 20 \text{ V}$	2.5 V	1800 pF	85 pF	150 m Ω	

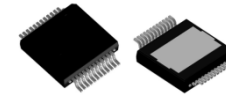
LED Headlight Driver

SanKen's LED headlight driver is a bypass switch for the highbrightness matrix LEDs used in applications such as automotive headlights. Each LED has open and short detections that can send fault flags to the CPU.

◆ SPF5047

- 4 Series LED Bypass Switches
- $V_{POS} = -65\text{ V}$, $R_{DS(ON)} = 120\text{ m}\Omega$
- LED Open / Short Detection

HSOP24

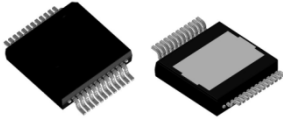


[→p.26](#)

SPF5047

Package

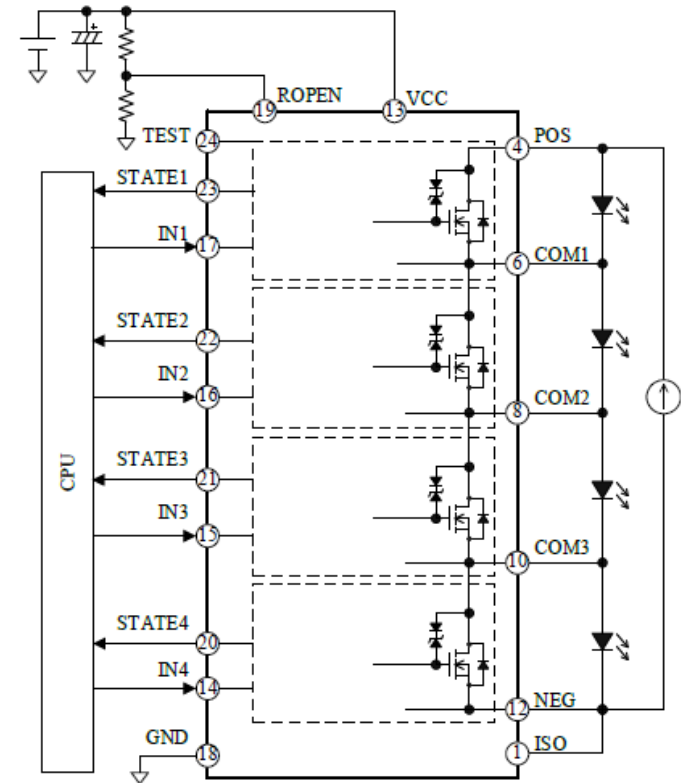
HSOP24



Features

- Four Series LED Bypass Switches
- Drives Up to 16 LEDs in Series (with 4 ICs; at V_F of an LED is approx. 3 V)
- Low Noise:
No charge-current-induced noise occurs as each gate driver uses a negative power source which requires no charge-pump circuit.
- High Efficiency:
Optimized trade-offs between switching loss and switching noise allow highly-accurate control in t_r and t_f .
- Fault Flag Reporting
- LED Open Detection
- LED Short Detection

Typical Applicati



Specifications

Part Number	V_{POS}	I_{OUT}	$R_{DS(ON)}$
SPF5047	-65 V (max.)	2 A (max.)	120 m Ω (typ.)

Important Notes

- All data, illustrations, graphs, tables and any other information included in this document (the “Information”) as to SanKen’s products listed herein (the “SanKen Products”) are current as of the date this document is issued. The Information is subject to any change without notice due to improvement of the SanKen Products, etc. Please make sure to confirm with a SanKen sales representative that the contents set forth in this document reflect the latest revisions before use.
- The SanKen Products are intended for use as components of electronic equipment or apparatus (transportation equipment and its control systems, home appliances, office equipment, telecommunication equipment, measuring equipment, etc.). Prior to use of the SanKen Products, please put your signature, or affix your name and seal, on the specification documents of the SanKen Products and return them to SanKen. If considering use of the SanKen Products for any applications that require higher reliability (traffic signal control systems or equipment, disaster/crime alarm systems, etc.), you must contact a SanKen sales representative to discuss the suitability of such use and put your signature, or affix your name and seal, on the specification documents of the SanKen Products and return them to SanKen, prior to the use of the SanKen Products. The SanKen Products are not intended for use in any applications that require extremely high reliability such as: aerospace equipment; nuclear power control systems; and medical equipment or systems, whose failure or malfunction may result in death or serious injury to people, i.e., medical devices in Class III or a higher class as defined by relevant laws of Japan (collectively, the “Specific Applications”). SanKen assumes no liability or responsibility whatsoever for any and all damages and losses that may be suffered by you, users or any third party, resulting from the use of the SanKen Products in the Specific Applications or in manner not in compliance with the instructions set forth herein.
- In the event of using the SanKen Products by either (i) combining other products or materials or both therewith or (ii) physically, chemically or otherwise processing or treating or both the same, you must duly consider all possible risks that may result from all such uses in advance and proceed therewith at your own responsibility.
- Although SanKen is making efforts to enhance the quality and reliability of its products, it is impossible to completely avoid the occurrence of any failure or defect or both in semiconductor products at a certain rate. You must take, at your own responsibility, preventative measures including using a sufficient safety design and confirming safety of any equipment or systems in/for which the SanKen Products are used, upon due consideration of a failure occurrence rate and derating, etc., in order not to cause any human injury or death, fire accident or social harm which may result from any failure or malfunction of the SanKen Products. Please refer to the relevant specification documents and SanKen’s official website in relation to derating.
- No anti-radioactive ray design has been adopted for the SanKen Products.
- The circuit constant, operation examples, circuit examples, pattern layout examples, design examples, recommended examples, all information and evaluation results based thereon, etc., described in this document are presented for the sole purpose of reference of use of the SanKen Products.
- SanKen assumes no responsibility whatsoever for any and all damages and losses that may be suffered by you, users or any third party, or any possible infringement of any and all property rights including intellectual property rights and any other rights of you, users or any third party, resulting from the Information.
- No information in this document can be transcribed or copied or both without SanKen’s prior written consent.
- Regarding the Information, no license, express, implied or otherwise, is granted hereby under any intellectual property rights and any other rights of SanKen.
- Unless otherwise agreed in writing between SanKen and you, SanKen makes no warranty of any kind, whether express or implied, including, without limitation, any warranty (i) as to the quality or performance of the SanKen Products (such as implied warranty of merchantability, and implied warranty of fitness for a particular purpose or special environment), (ii) that any SanKen Product is delivered free of claims of third parties by way of infringement or the like, (iii) that may arise from course of performance, course of dealing or usage of trade, and (iv) as to the Information (including its accuracy, usefulness, and reliability).
- In the event of using the SanKen Products, you must use the same after carefully examining all applicable environmental laws and regulations that regulate the inclusion or use or both of any particular controlled substances, including, but not limited to, the EU RoHS Directive, so as to be in strict compliance with such applicable laws and regulations.
- You must not use the SanKen Products or the Information for the purpose of any military applications or use, including but not limited to the development of weapons of mass destruction. In the event of exporting the SanKen Products or the Information, or providing them for non-residents, you must comply with all applicable export control laws and regulations in each country including the U.S. Export Administration Regulations (EAR) and the Foreign Exchange and Foreign Trade Act of Japan, and follow the procedures required by such applicable laws and regulations.
- SanKen assumes no responsibility for any troubles, which may occur during the transportation of the SanKen Products including the falling thereof, out of SanKen’s distribution network.
- Although SanKen has prepared this document with its due care to pursue the accuracy thereof, SanKen does not warrant that it is error free and SanKen assumes no liability whatsoever for any and all damages and losses which may be suffered by you resulting from any possible errors or omissions in connection with the Information.
- Please refer to our official website in relation to general instructions and directions for using the SanKen Products, and refer to the relevant specification documents in relation to particular precautions when using the SanKen Products.
- All rights and title in and to any specific trademark or tradename belong to SanKen and such original right holder(s).

DSGN-AEZ-16003