



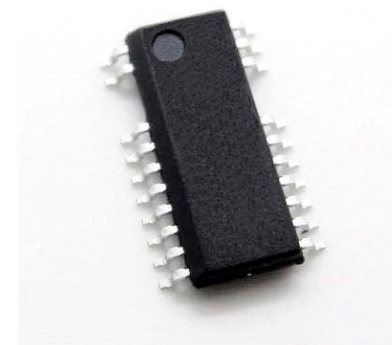
Working Together for a Greener Society

Future of Power Electronics and the Earth



Supply Control IC with Critical Conduction Mode PFC and
LLC Current-resonant Circuits

SSC4S913



■ Overview

The SSC4S913 is a power supply IC that integrates a CRM-driven PFC control circuit and an LLC current-resonant circuit in a compact SSOP24 package. The LLC stage includes high- and low-side drive circuits, which directly drive external power MOSFETs in the half-bridge circuit. The PFC and LLC stages are highly interlocked in startup and standby operations, requiring no individual circuit settings. With extensive protections (e.g., the capacitive mode detection function), the SSC4S913 allows you to easily design a high-safety, high-quality power supply system. In addition to such protections, the SSC4S913 has a startup circuit that supports DC input, a function that enhances light-load efficiency, and more.

■ Applications

- Audiovisual Equipment (e.g., LCD TV)
- Office Automation Equipment (e.g., Server, Multifunction Printer)
- Communication Equipment
- Industrial Equipment



■ Features

- PFC and LLC Stages Controlled by a Single IC
- Interlocked PFC–LLC Stage Operations (Startup, Standby)
- AC and DC Inputs Supported
- X-capacitor Discharge (Enabled at AC Input, No Discharge Resistor Required)
- Burst Oscillation at Light Load (PFC and LLC Stages)
- Critical Conduction Mode (CRM) PFC Control
- PFC Maximum Oscillation Frequency Limitation
- LLC Capacitive Mode Detection
- LLC Soft Start
- LLC Automatic Dead Time Adjustment
- Protections
 - Input Voltage Protections (UVP, HVP)
 - PFC FB_PFC Pin Undervoltage Protection (FB_PFC_UVP)
 - PFC Output Overvoltage Protection (FB_PFC and OVP Pins)
 - PFC Overcurrent Protection (PFC_OCP)
 - LLC High-side Driver Undervoltage Lockout (VB_UVLO)
 - LLC Overcurrent Protection (LLC_OCP): Two Different Operations
 - LLC Overload Protection (LLC_OLP)
 - VCC Pin Overvoltage Protection (VCC_OVP)
 - Thermal Shutdown (TSD)

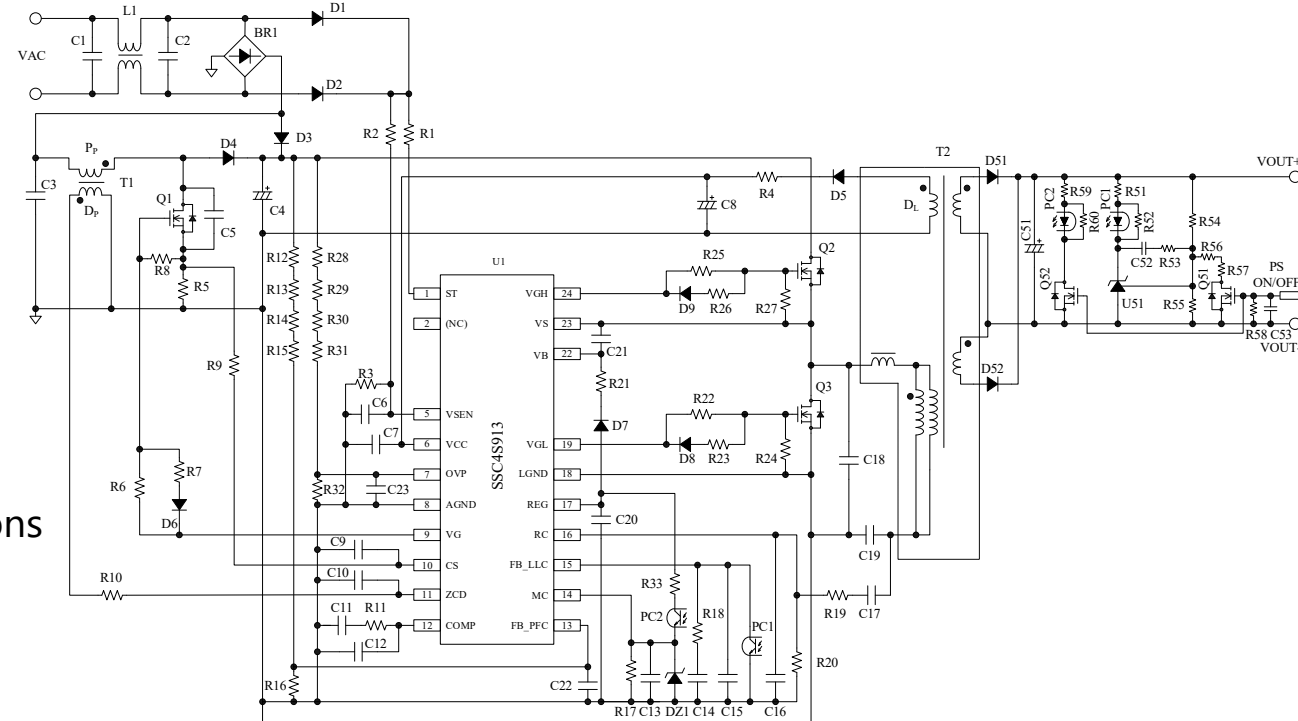
■ Package

SSOP24



Pb-free (RoHS compliant)

■ Typical Application



Single-packaged PFC and LLC Stages

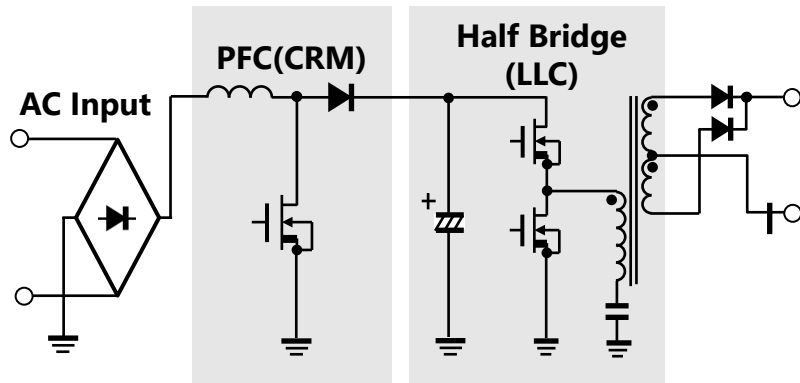
■ Component Count Substantially Reduced by Single Packaging

The SSC4S913 integrates the PFC and LLC stages into a single package.

As a result, component counts can be reduced by a large amount.*

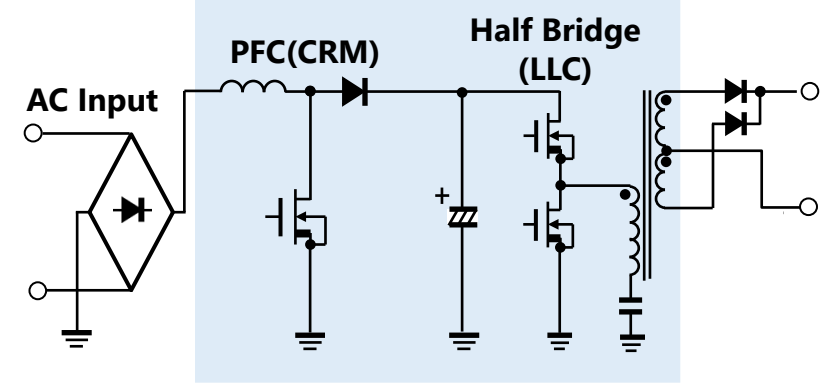
Existing

Individual control ICs are required for the PFC and LLC stages.



SSC4S913

Only a single control IC is required for the PFC and LLC stages.



Down by 21 pcs



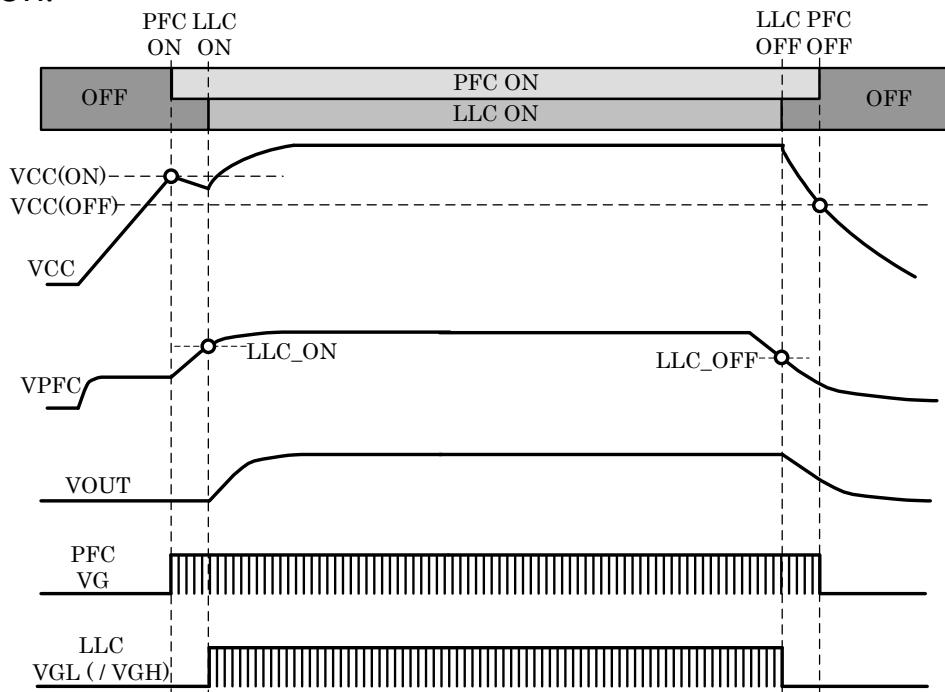
- PFC-LLC interlocking parts: -7 pcs
- IC-included adjustment parts: -5 pcs
- Overlapping parts: -2 pcs
- Other parts: -7 pcs

* When compared with our own typical application.

Interlocked PFC-LLC Stage Operations

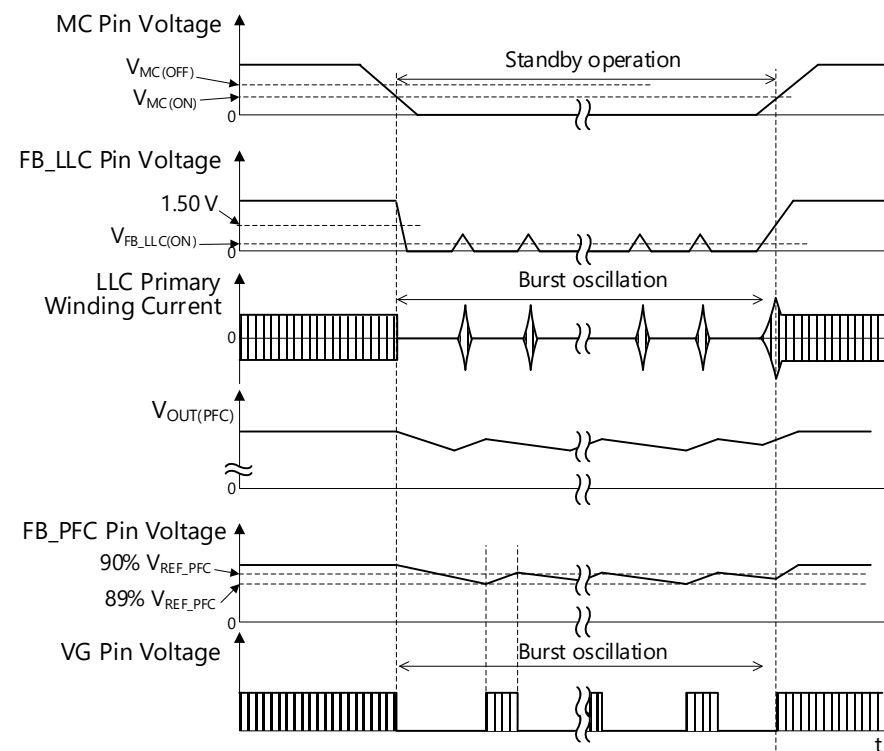
■ Interlocked Startup and Shutdown Operations

When the PFC stage output voltage reaches a given value at startup, the LLC stage operation starts. This sequence prevents startup failures. Once the IC detects a decrease in the PFC stage output voltage, the LLC stage operation stops before entering capacitive mode. This shutdown sequence avoids hard switching caused by any capacitive mode operation.



■ Interlocked Standby Operation

In standby mode, both the PFC and LLC stages enter burst oscillation operations to reduce switching losses. When the LLC stage shifts to burst oscillation operation, so does the PFC stage, allowing the IC to control the output voltage and reduce losses.

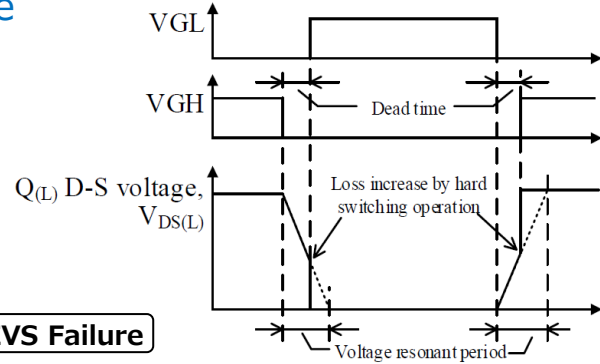


Other Key Functions

1. Automatic Dead Time Adjustment Function

Detects a voltage-resonant period to automatically control the zero voltage switching (ZVS) operations of the high- and low-side power MOSFETs.

- ✓ Requires no dead time adjustment



Waveforms at ZVS Failure

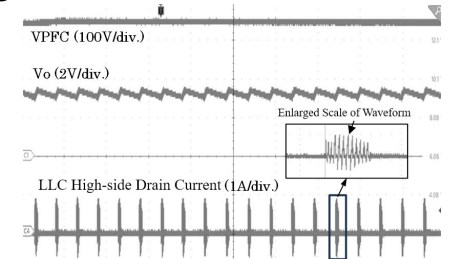
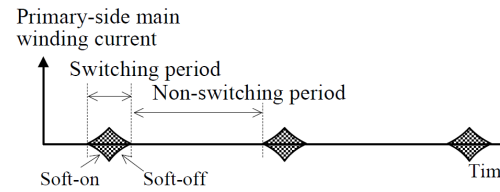
2. Standby Function

Performs the burst oscillation during the standby operation.

- ✓ Decreases the switching loss at light load

The soft-on/soft-off function prevents drain currents from varying steeply during the burst oscillation. Controls switching frequencies with the internal reference signal during the burst oscillation.

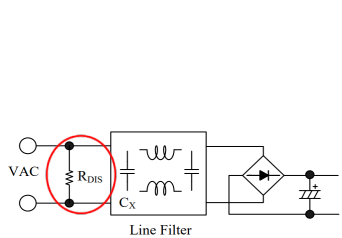
- ✓ Minimizes audible transformer noise



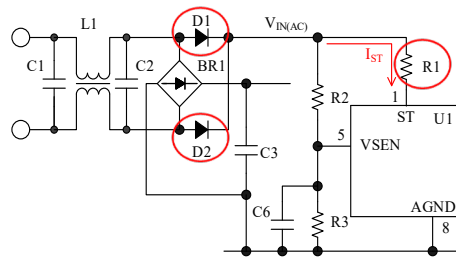
3. X-capacitor Discharge Function (AC Input Mode)

Requires no discharge resistor R_{DIS} (IEC62368-1 compliant). A typical line filter configuration needs R_{DIS} that is connected to an X-capacitor in parallel and is always power-consuming.

- ✓ Increases circuit efficiencies



Typical Line Filter Circuit

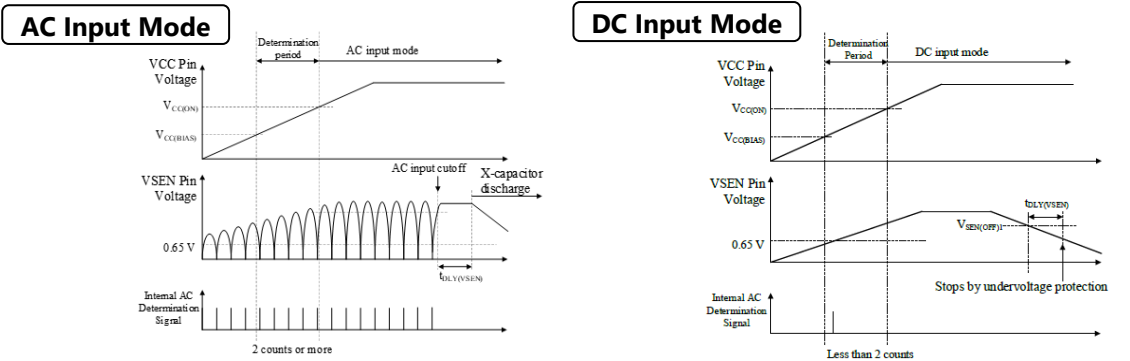


R_{DIS} removed; D₁, D₂, R₁ connected to the ST pin.

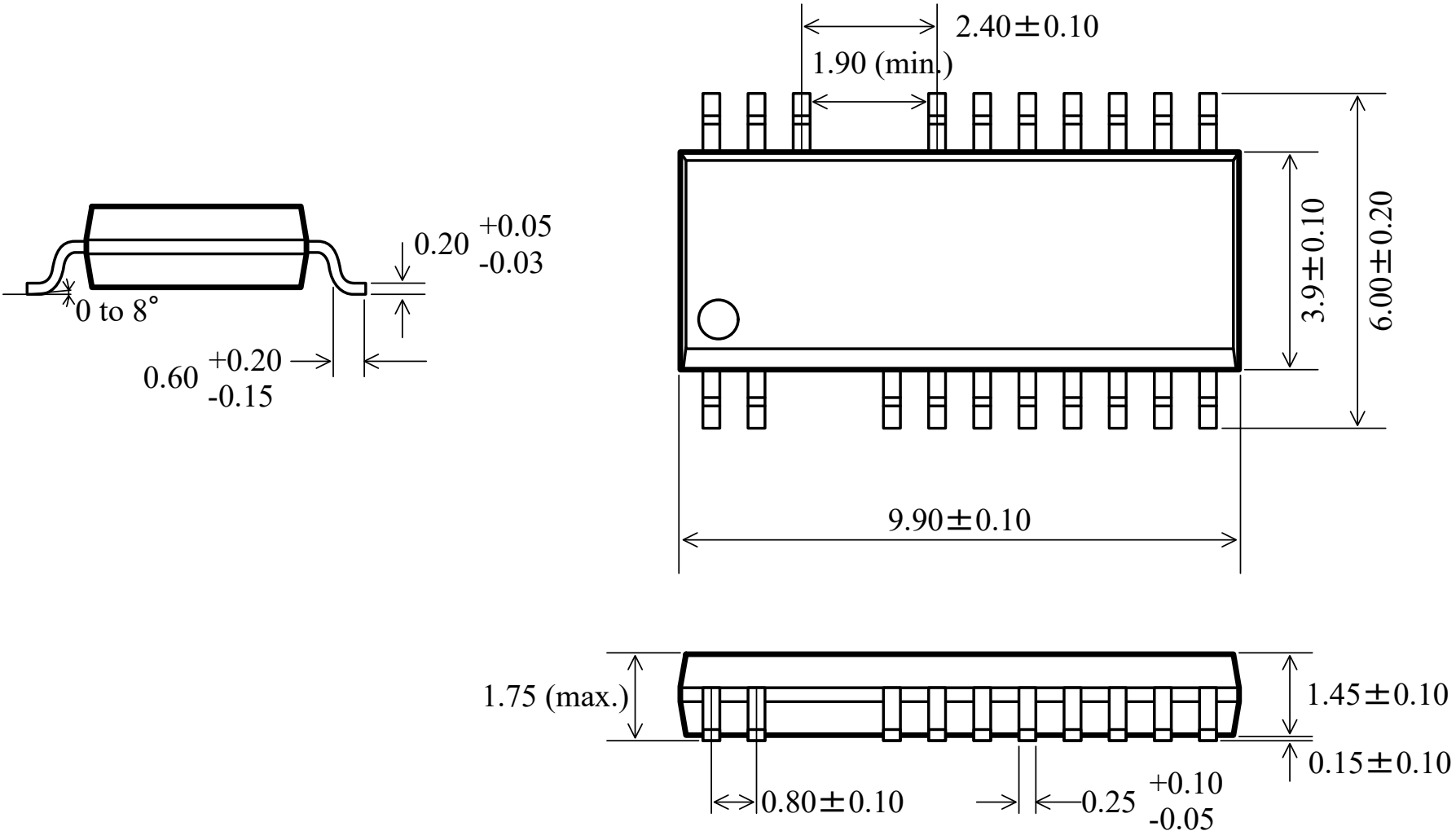
4. AC/DC Input Support

Determines whether the input voltage is AC or DC to enable the X-capacitor discharge function if AC and disable it if DC.

- ✓ Improves design-friendliness



■ SSOP24



Unit: mm

Important Notes

- All data, illustrations, graphs, tables and any other information included in this document (the “Information”) as to SanKen’s products listed herein (the “SanKen Products”) are current as of the date this document is issued. The Information is subject to any change without notice due to improvement of the SanKen Products, etc. Please make sure to confirm with a SanKen sales representative that the contents set forth in this document reflect the latest revisions before use.
- The SanKen Products are intended for use as components of general purpose electronic equipment or apparatus (such as home appliances, office equipment, telecommunication equipment, measuring equipment, etc.). Prior to use of the SanKen Products, please put your signature, or affix your name and seal, on the specification documents of the SanKen Products and return them to SanKen. When considering use of the SanKen Products for any applications that require higher reliability (such as transportation equipment and its control systems, traffic signal control systems or equipment, disaster/crime alarm systems, various safety devices, etc.), you must contact a SanKen sales representative to discuss the suitability of such use and put your signature, or affix your name and seal, on the specification documents of the SanKen Products and return them to SanKen, prior to the use of the SanKen Products. The SanKen Products are not intended for use in any applications that require extremely high reliability such as: aerospace equipment; nuclear power control systems; and medical equipment or systems, whose failure or malfunction may result in death or serious injury to people, i.e., medical devices in Class III or a higher class as defined by relevant laws of Japan (collectively, the “Specific Applications”). SanKen assumes no liability or responsibility whatsoever for any and all damages and losses that may be suffered by you, users or any third party, resulting from the use of the SanKen Products in the Specific Applications or in manner not in compliance with the instructions set forth herein.
- In the event of using the SanKen Products by either (i) combining other products or materials or both therewith or (ii) physically, chemically or otherwise processing or treating or both the same, you must duly consider all possible risks that may result from all such uses in advance and proceed therewith at your own responsibility.
- Although SanKen is making efforts to enhance the quality and reliability of its products, it is impossible to completely avoid the occurrence of any failure or defect or both in semiconductor products at a certain rate. You must take, at your own responsibility, preventative measures including using a sufficient safety design and confirming safety of any equipment or systems in/for which the SanKen Products are used, upon due consideration of a failure occurrence rate and derating, etc., in order not to cause any human injury or death, fire accident or social harm which may result from any failure or malfunction of the SanKen Products. Please refer to the relevant specification documents and SanKen’s official website in relation to derating.
- No anti-radioactive ray design has been adopted for the SanKen Products.
- The circuit constant, operation examples, circuit examples, pattern layout examples, design examples, recommended examples, all information and evaluation results based thereon, etc., described in this document are presented for the sole purpose of reference of use of the SanKen Products.
- SanKen assumes no responsibility whatsoever for any and all damages and losses that may be suffered by you, users or any third party, or any possible infringement of any and all property rights including intellectual property rights and any other rights of you, users or any third party, resulting from the Information.
- No information in this document can be transcribed or copied or both without SanKen’s prior written consent.
- Regarding the Information, no license, express, implied or otherwise, is granted hereby under any intellectual property rights and any other rights of SanKen.
- Unless otherwise agreed in writing between SanKen and you, SanKen makes no warranty of any kind, whether express or implied, including, without limitation, any warranty (i) as to the quality or performance of the SanKen Products (such as implied warranty of merchantability, and implied warranty of fitness for a particular purpose or special environment), (ii) that any SanKen Product is delivered free of claims of third parties by way of infringement or the like, (iii) that may arise from course of performance, course of dealing or usage of trade, and (iv) as to the Information (including its accuracy, usefulness, and reliability).
- In the event of using the SanKen Products, you must use the same after carefully examining all applicable environmental laws and regulations that regulate the inclusion or use or both of any particular controlled substances, including, but not limited to, the EU RoHS Directive, so as to be in strict compliance with such applicable laws and regulations.
- You must not use the SanKen Products or the Information for the purpose of any military applications or use, including but not limited to the development of weapons of mass destruction. In the event of exporting the SanKen Products or the Information, or providing them for non-residents, you must comply with all applicable export control laws and regulations in each country including the U.S. Export Administration Regulations (EAR) and the Foreign Exchange and Foreign Trade Act of Japan, and follow the procedures required by such applicable laws and regulations.
- SanKen assumes no responsibility for any troubles, which may occur during the transportation of the SanKen Products including the falling thereof, out of SanKen’s distribution network.
- Although SanKen has prepared this document with its due care to pursue the accuracy thereof, SanKen does not warrant that it is error free and SanKen assumes no liability whatsoever for any and all damages and losses which may be suffered by you resulting from any possible errors or omissions in connection with the Information.
- Please refer to our official website in relation to general instructions and directions for using the SanKen Products, and refer to the relevant specification documents in relation to particular precautions when using the SanKen Products.
- All rights and title in and to any specific trademark or tradename belong to SanKen and such original right holder(s).