



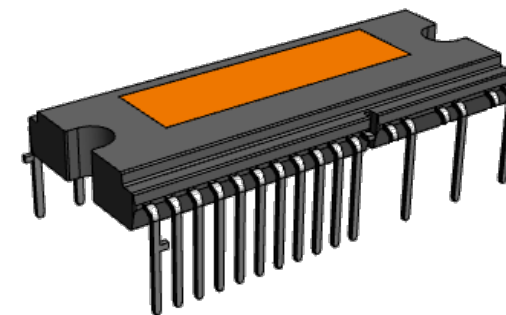
Working Together for a Greener Society

Future of Power Electronics and the Earth



High Voltage 3-phase Motor Driver

**SIM2-151AB**



## ■ Overview

The SIM2-151AB is a high voltage 3-phase motor driver in which transistors, pre-drive circuits, and bootstrap circuits (diodes and resistors) are highly integrated. The product can run on a 3-shunt current detection system and optimally control the inverter systems of medium-capacity motors that require universal input standards. The SIM2-151AB comes in a compact DIP40 package and will best suit compressor-driven applications such as refrigerators and air conditioners.

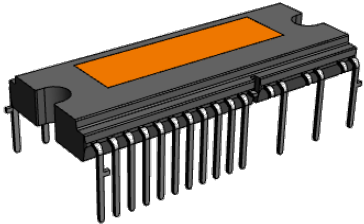
## ■ Applications

For motor drives such as:

- Compressor motor of refrigerator/air conditioner

## ■ Package

DIP40



## ■ Selection Guide

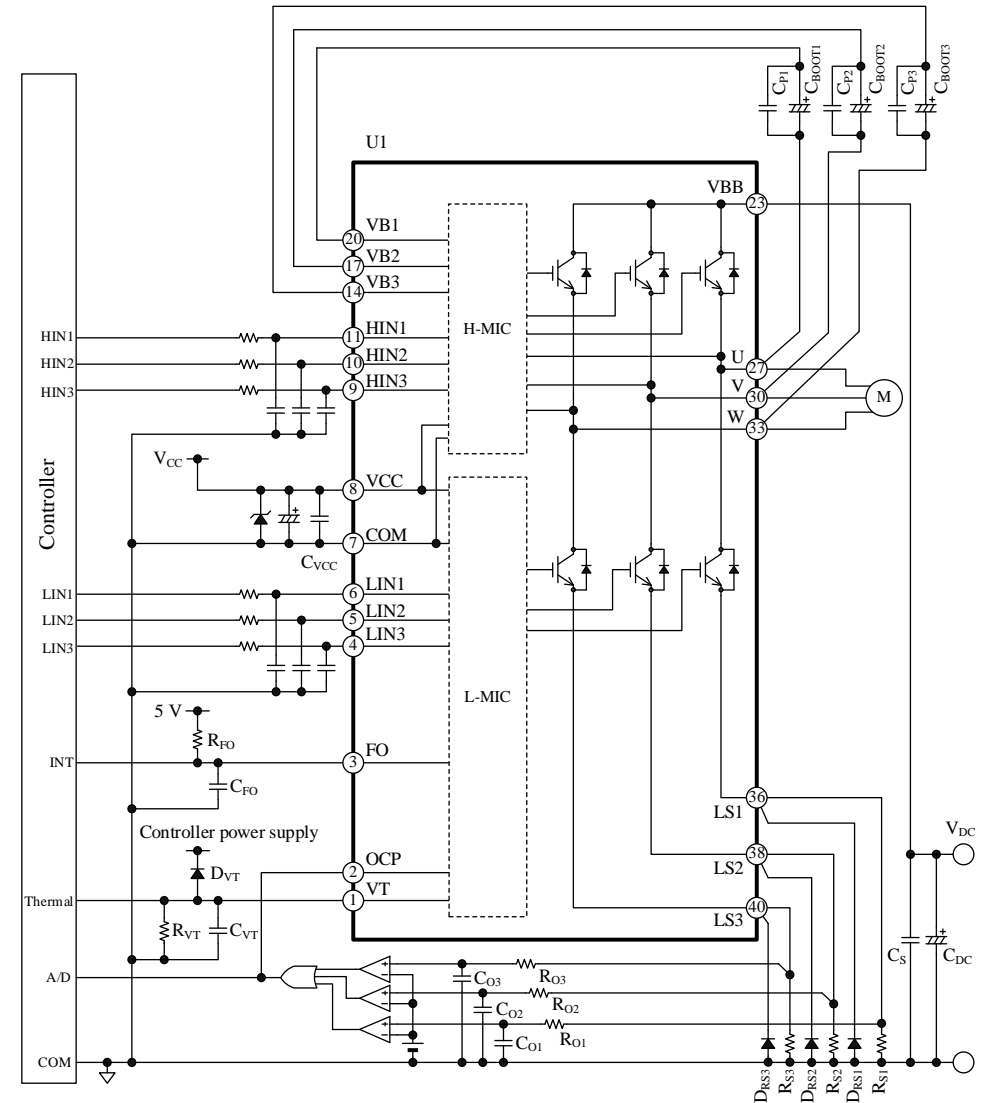
Part Number	$V_{CES}$	$I_C^*$	Output Transistor	$V_{CE(SAT)}$ (Typ.)	Thermal Resistance
SIM2-151AB	600 V	15 A	FS-IGBT + FRD	1.6 V	3.6 °C/W

\* 20 A device development ongoing

## ■ Features

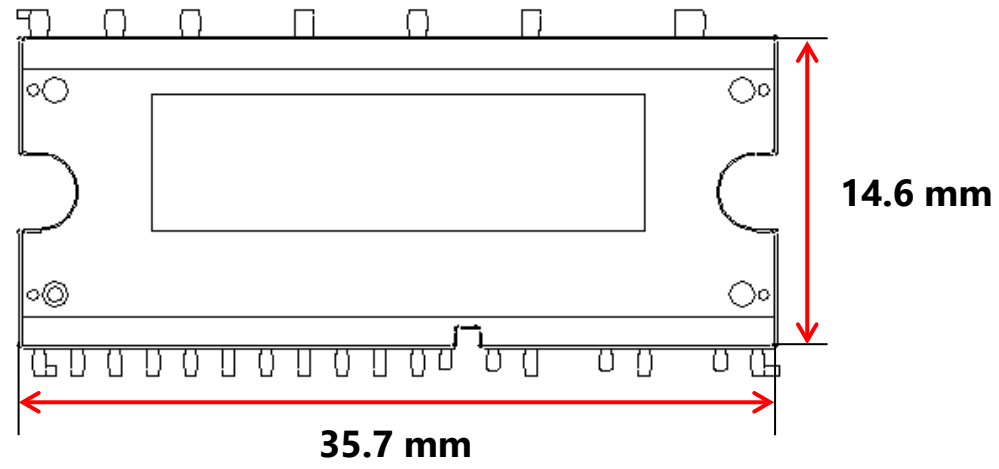
- Sufficient insulation distance:
  - Clearance: 2.788 mm (min.)
  - Creepage: 4.334 mm (min.)
- Pb-free (RoHS compliant)
- Isolation voltage: 2000 V (for 1 min)  
UL-recognized component (File No.: E118037)
- Temperature sensing function
- Built-in bootstrap diodes with current limiting resistors (250 Ω)
- CMOS-compatible input (3.3 V or 5 V)
- Fault signal output at protection activation
- Protections include:
  - Undervoltage Lockout for power supply
    - High-side (UVLO\_VB): auto-restart
    - Low-side (UVLO\_VCC): auto-restart
  - Overcurrent Protection (OCP): auto-restart
  - Thermal Shutdown (TSD): auto-restart, with an operating range of  $\pm 5\text{ }^{\circ}\text{C}$

## ■ Typical Application



### ■ Ultra-compact Package: DIP40

The SIM2-151AB comes in an ultra-compact DIP40 package. This package adopts the DBC (Direct Bonding Copper) structure to decrease its size (resin area) to 521 mm<sup>2</sup> (35.7 mm x 14.6 mm). Compared to our conventional type, the SIM2-151AB stands out for its package size reduced by 40% or more.



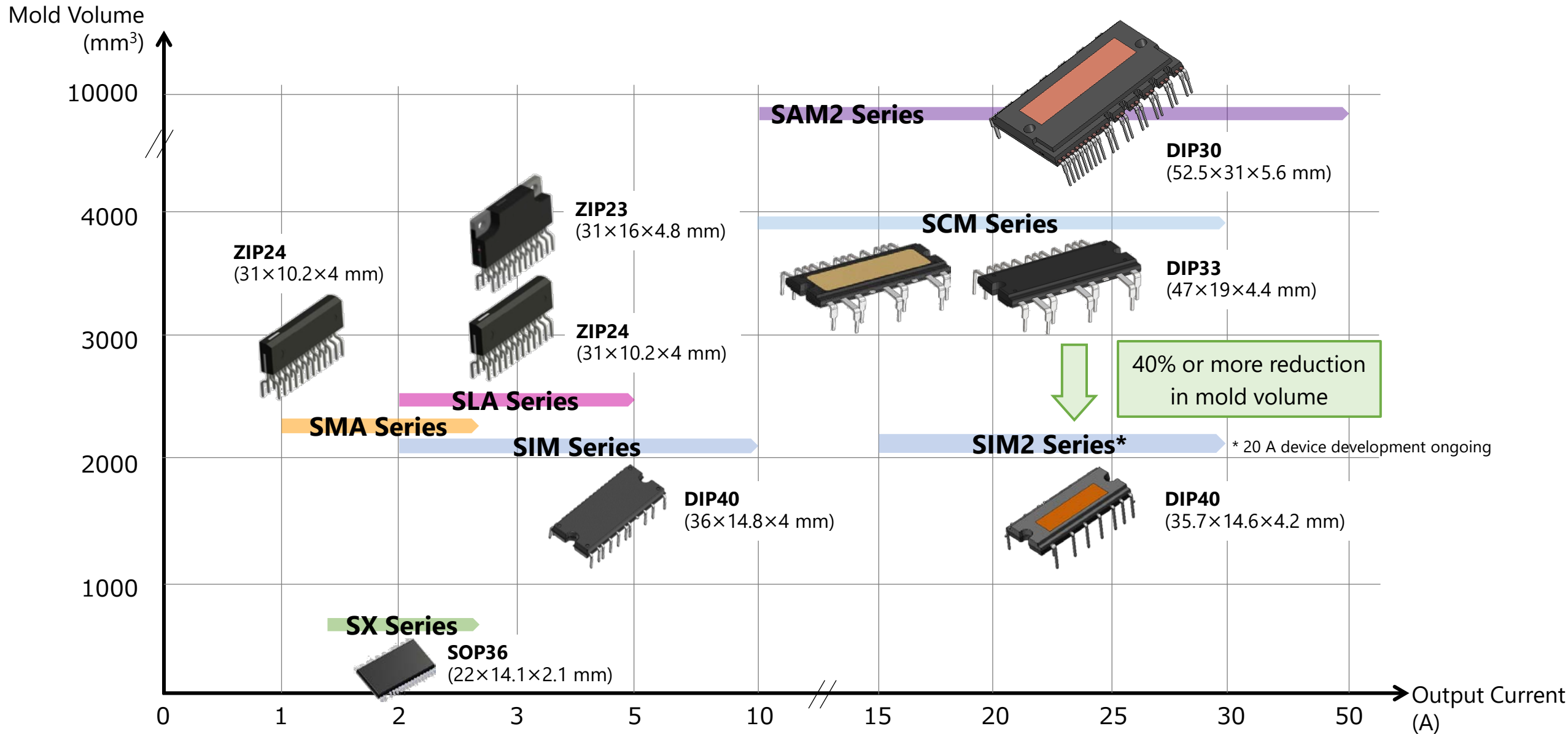
### ■ Enhanced Heat Dissipation

Owing to the DBC (Direct Bonding Copper) structure, the SIM2-151AB is designed to fit into the compact package yet has a smaller thermal resistance. This allows the product to achieve higher heat dissipation performance.

Part Number	I <sub>C</sub> *	Thermal Resistance
SIM2-151AB	15 A	3.6 °C/W

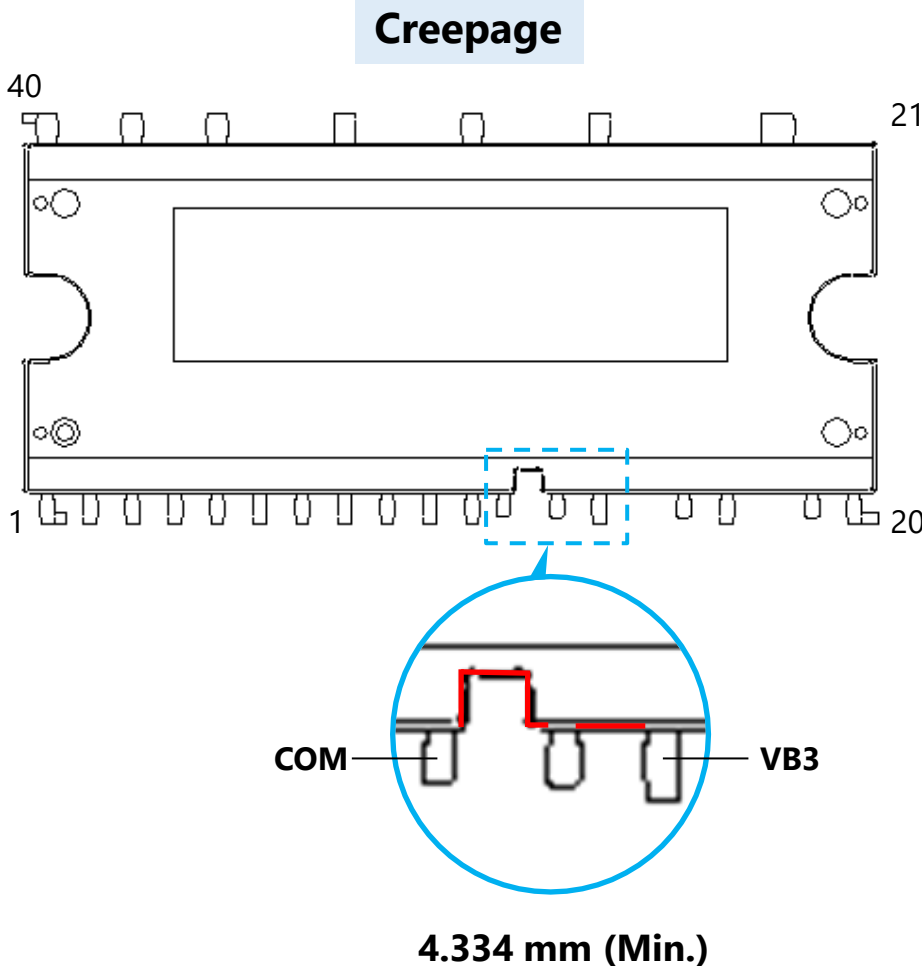
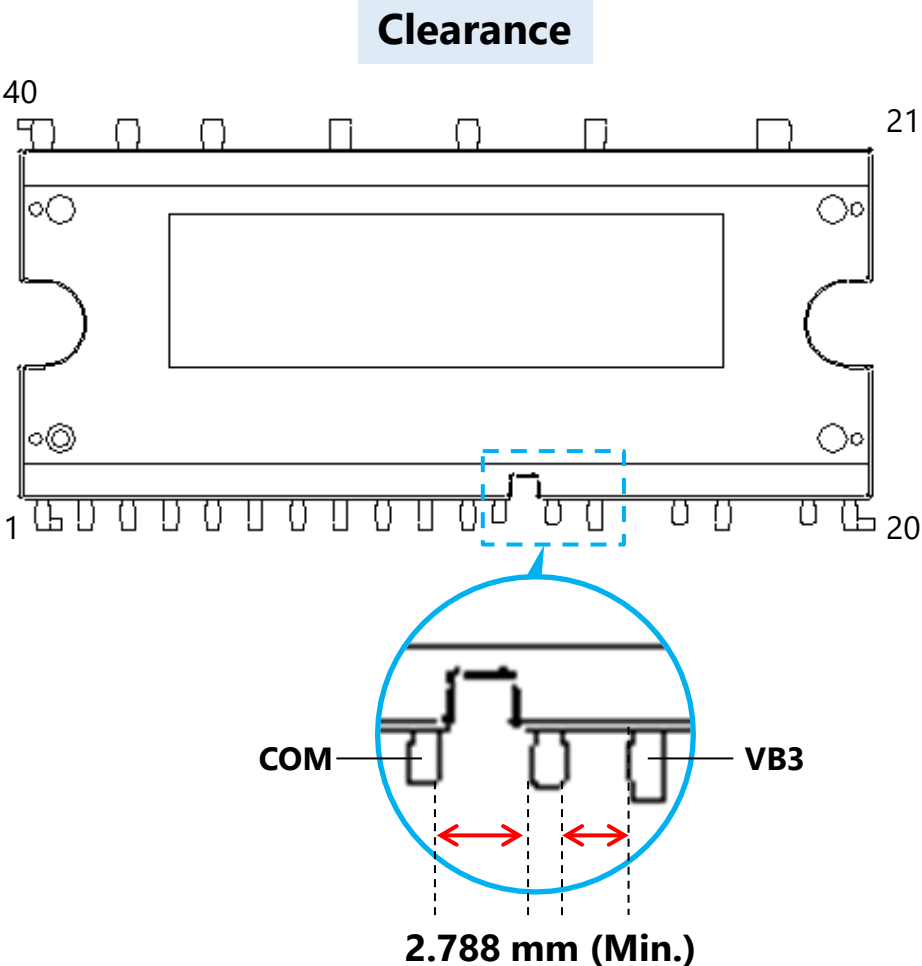
\* 20 A device development ongoing

# Package Guideline for High Voltage Motor Drivers



## ■ Ensured Clearance/Creepage

The SIM2-151AB ensures sufficient insulation distance: a clearance of 2.788 mm (min.) between the high-voltage pins (COM – VB3), and a creepage of 4.334 mm (min.).



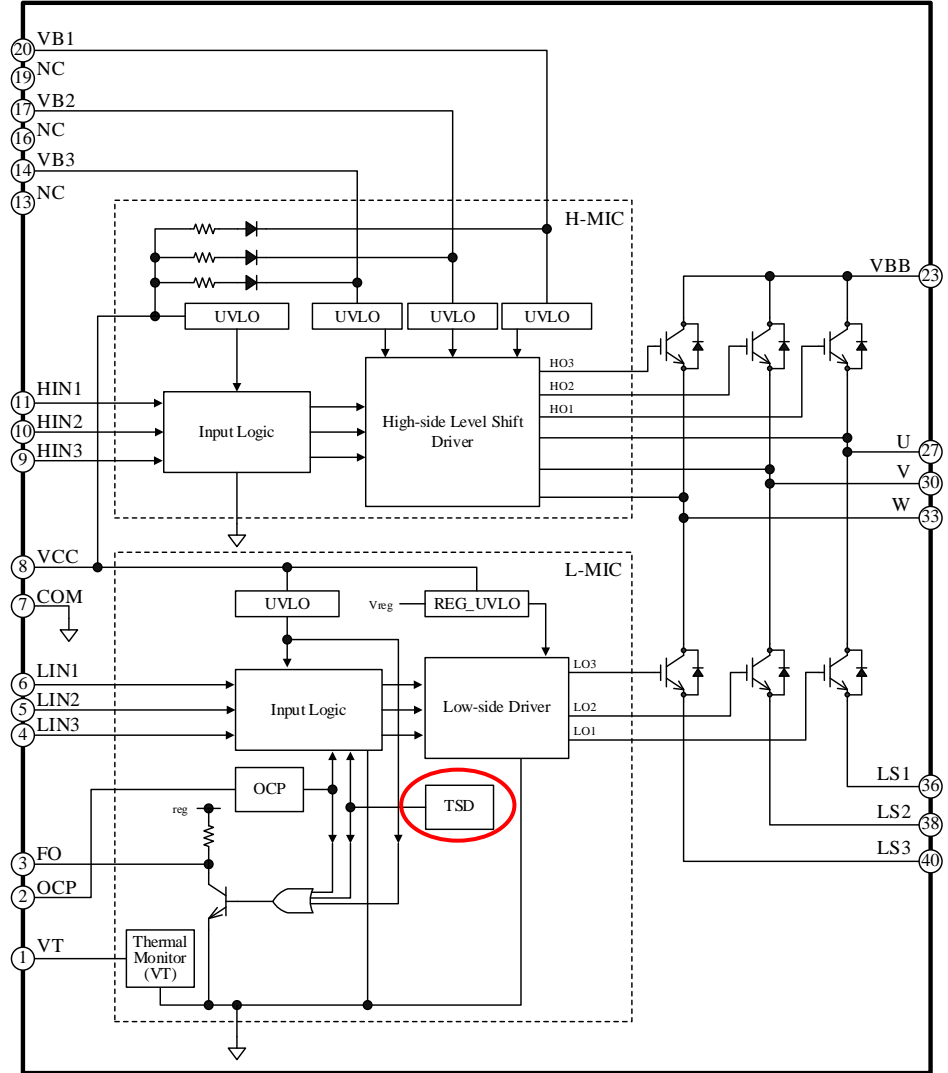
## ■ Thermal Shutdown (TSD)

The SIM2-151AB has the thermal shutdown (TSD) function.

This function starts to operate when the internal control part exceeds the TSD operating temperature,  $T_{DH} = 120\text{ }^{\circ}\text{C}$  (typ.).

In addition, the TSD function is precisely designed so that the operating temperature varies within  $\pm 5\text{ }^{\circ}\text{C}$  of its typical value.

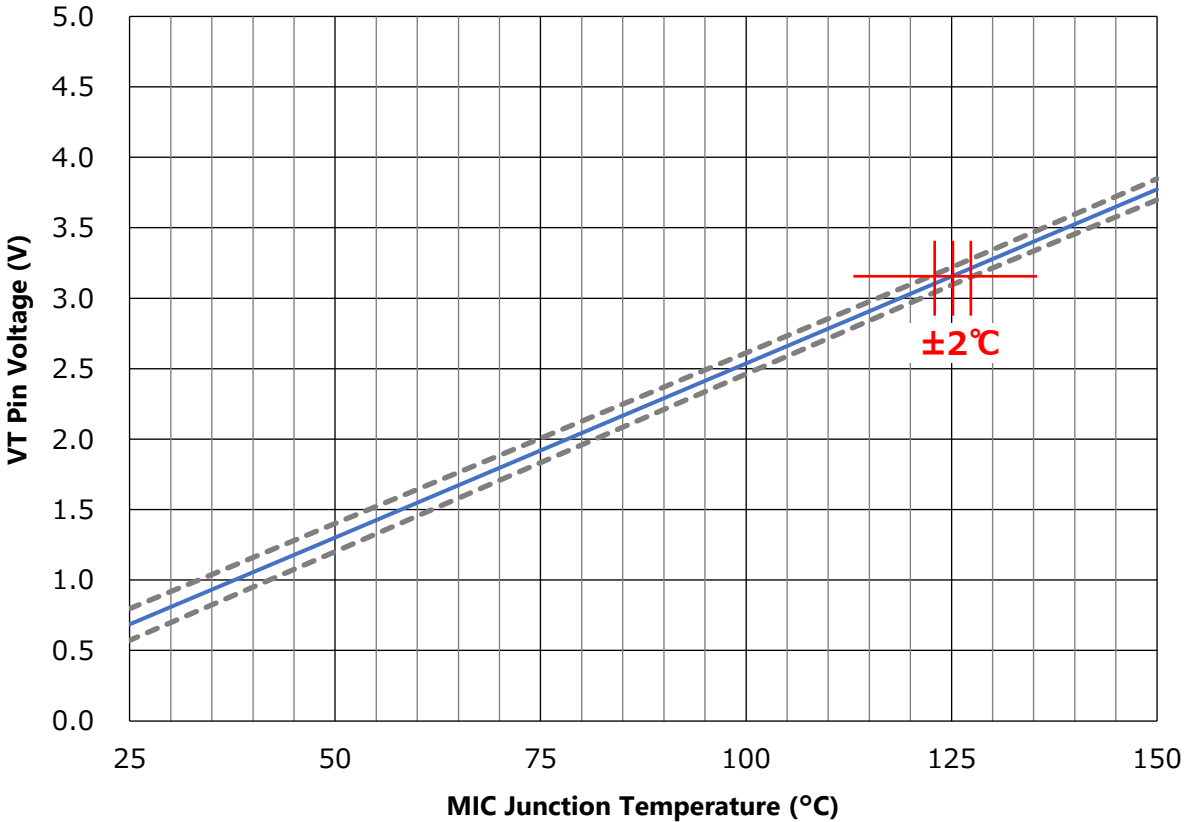
### SIM2-151AB Block Diagram



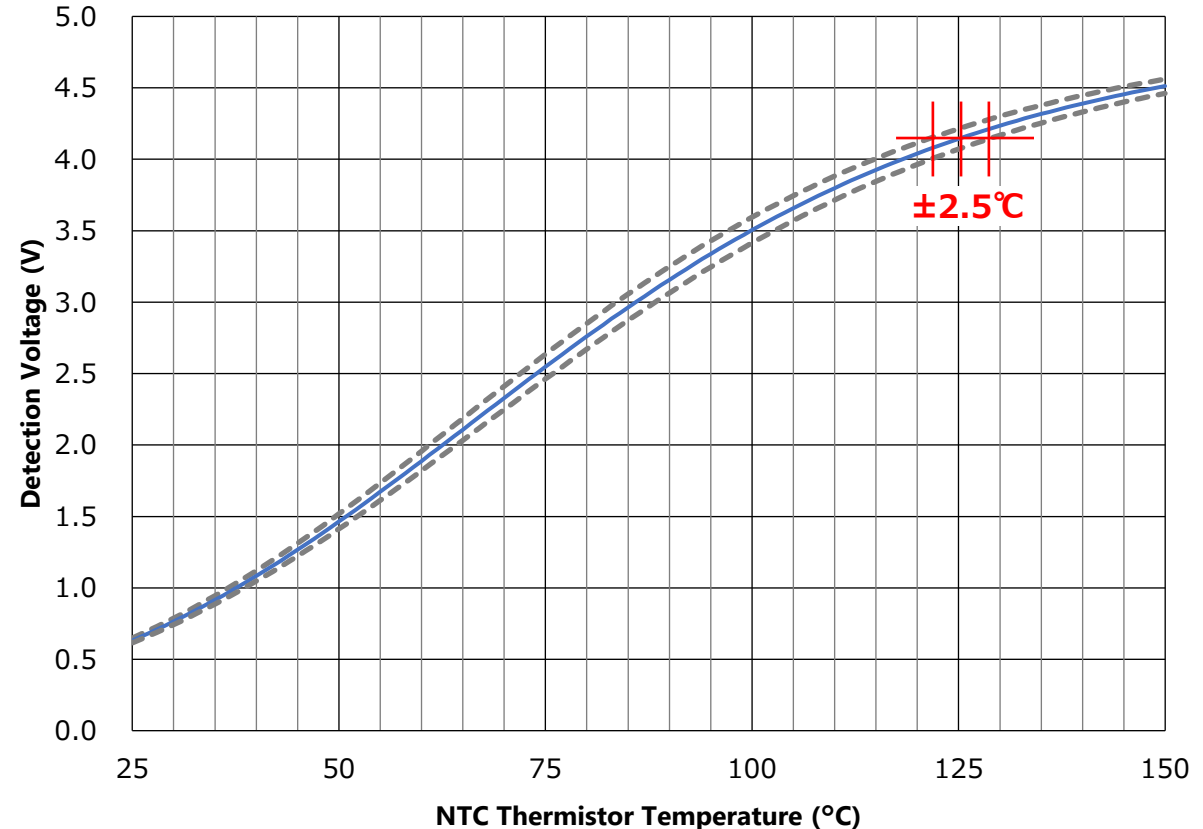
## ■ Precise Temperature Monitor

The SIM2-151AB incorporates the temperature sensing function. This function monitors the junction temperature of the internal control IC using a temperature-sensing voltage that the VT pin outputs. With a variation of  $\pm 1.6\%$  in junction temperature over temperature sensing voltage, the product boasts its preciseness equivalent to that of thermistor-mounted devices.

**SIM2-151AB (Temp. Sensing Function)**



**Temp. Monitor Example with NTC Thermistor**





## Important Notes

- All data, illustrations, graphs, tables and any other information included in this document (the “Information”) as to SanKen’s products listed herein (the “SanKen Products”) are current as of the date this document is issued. The Information is subject to any change without notice due to improvement of the SanKen Products, etc. Please make sure to confirm with a SanKen sales representative that the contents set forth in this document reflect the latest revisions before use.
- The SanKen Products are intended for use as components of general purpose electronic equipment or apparatus (such as home appliances, office equipment, telecommunication equipment, measuring equipment, etc.). Prior to use of the SanKen Products, please put your signature, or affix your name and seal, on the specification documents of the SanKen Products and return them to SanKen. When considering use of the SanKen Products for any applications that require higher reliability (such as transportation equipment and its control systems, traffic signal control systems or equipment, disaster/crime alarm systems, various safety devices, etc.), you must contact a SanKen sales representative to discuss the suitability of such use and put your signature, or affix your name and seal, on the specification documents of the SanKen Products and return them to SanKen, prior to the use of the SanKen Products. The SanKen Products are not intended for use in any applications that require extremely high reliability such as: aerospace equipment; nuclear power control systems; and medical equipment or systems, whose failure or malfunction may result in death or serious injury to people, i.e., medical devices in Class III or a higher class as defined by relevant laws of Japan (collectively, the “Specific Applications”). SanKen assumes no liability or responsibility whatsoever for any and all damages and losses that may be suffered by you, users or any third party, resulting from the use of the SanKen Products in the Specific Applications or in manner not in compliance with the instructions set forth herein.
- In the event of using the SanKen Products by either (i) combining other products or materials or both therewith or (ii) physically, chemically or otherwise processing or treating or both the same, you must duly consider all possible risks that may result from all such uses in advance and proceed therewith at your own responsibility.
- Although SanKen is making efforts to enhance the quality and reliability of its products, it is impossible to completely avoid the occurrence of any failure or defect or both in semiconductor products at a certain rate. You must take, at your own responsibility, preventative measures including using a sufficient safety design and confirming safety of any equipment or systems in/for which the SanKen Products are used, upon due consideration of a failure occurrence rate and derating, etc., in order not to cause any human injury or death, fire accident or social harm which may result from any failure or malfunction of the SanKen Products. Please refer to the relevant specification documents and SanKen’s official website in relation to derating.
- No anti-radioactive ray design has been adopted for the SanKen Products.
- The circuit constant, operation examples, circuit examples, pattern layout examples, design examples, recommended examples, all information and evaluation results based thereon, etc., described in this document are presented for the sole purpose of reference of use of the SanKen Products.
- SanKen assumes no responsibility whatsoever for any and all damages and losses that may be suffered by you, users or any third party, or any possible infringement of any and all property rights including intellectual property rights and any other rights of you, users or any third party, resulting from the Information.
- No information in this document can be transcribed or copied or both without SanKen’s prior written consent.
- Regarding the Information, no license, express, implied or otherwise, is granted hereby under any intellectual property rights and any other rights of SanKen.
- Unless otherwise agreed in writing between SanKen and you, SanKen makes no warranty of any kind, whether express or implied, including, without limitation, any warranty (i) as to the quality or performance of the SanKen Products (such as implied warranty of merchantability, and implied warranty of fitness for a particular purpose or special environment), (ii) that any SanKen Product is delivered free of claims of third parties by way of infringement or the like, (iii) that may arise from course of performance, course of dealing or usage of trade, and (iv) as to the Information (including its accuracy, usefulness, and reliability).
- In the event of using the SanKen Products, you must use the same after carefully examining all applicable environmental laws and regulations that regulate the inclusion or use or both of any particular controlled substances, including, but not limited to, the EU RoHS Directive, so as to be in strict compliance with such applicable laws and regulations.
- You must not use the SanKen Products or the Information for the purpose of any military applications or use, including but not limited to the development of weapons of mass destruction. In the event of exporting the SanKen Products or the Information, or providing them for non-residents, you must comply with all applicable export control laws and regulations in each country including the U.S. Export Administration Regulations (EAR) and the Foreign Exchange and Foreign Trade Act of Japan, and follow the procedures required by such applicable laws and regulations.
- SanKen assumes no responsibility for any troubles, which may occur during the transportation of the SanKen Products including the falling thereof, out of SanKen’s distribution network.
- Although SanKen has prepared this document with its due care to pursue the accuracy thereof, SanKen does not warrant that it is error free and SanKen assumes no liability whatsoever for any and all damages and losses which may be suffered by you resulting from any possible errors or omissions in connection with the Information.
- Please refer to our official website in relation to general instructions and directions for using the SanKen Products, and refer to the relevant specification documents in relation to particular precautions when using the SanKen Products.
- All rights and title in and to any specific trademark or tradename belong to SanKen and such original right holder(s).